

NOTES:

1. Weatherproof fittings required
2. Bluebonnet pole must remain free of structures and private attachments other than meter loop riser assembly.
3. Member's equipment shall not be attached to Bluebonnet's equipment except for the riser.
4. A plaque or directory showing all disconnecting means per NEC 705.10.
5. Disconnect may be mounted on a building or other suitable structure.
6. The main electrical disconnect for each electrical service, and the main solar/battery disconnect(s) shall be installed, on the exterior of the building in a location approved by Bluebonnet Electric Cooperative.

See MS-102, MS-10115, Or MS-10119 For Meter Loop Specifications

BUILDING OR RESIDENCE

* WIRING INSTALLATIONS MUST MEET LOCAL GUIDELINES, IF APPLICABLE, SET FORTH BY CITY, COUNTY, OR OTHER GOVERNING ENTITY IN THE EVENT THESE REQUIREMENTS ARE MORE STRINGENT THAN BLUEBONNET SPECIFICATIONS. *

Equipment rack 2" steel pipe with uni-strut horizontal supports.

Fused Lockable Handle-Type AC Safety Disconnect

6' Min.
10' Max

Supply Side Connection
8' ground rod to be driven 12" below grade. (Member Provided)

5' Min. - 6' Max.
Center Of Meter

Finished Grade

24" Minimum

24" Minimum

24" Minimum

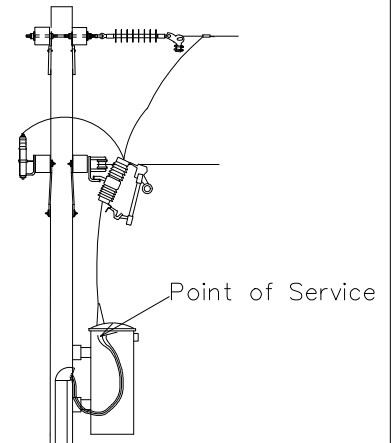
From Inverter

FOR THE MEMBER'S SAFETY, WIRING INSTALLATIONS SHALL CONFORM TO THE REQUIREMENTS OF THE NEC, TDLR AND NESC.

Conduit above finished grade shall be approved electrical metal conduit or schedule 80 rigid nonmetallic conduit.

Minimum schedule 40 rigid nonmetallic service conduit below finished grade. No schedule 40 conduit allowed above ground level on source side of main disconnect.

Latest update can be found at www.bluebonnetelectric.coop



RENEWABLE INTERCONNECTION LESS THAN 50 kW AT METER ON POLE WITH LINE SIDE TAP		Drawn By : SEF	Checked By : DER COMMITTEE	Approved By : TE
DATE	REVISIONS	Scale : NONE	Date : 07-15-2022	MS-502