



## **Welcome to Bluebonnet Electric Cooperative**

Bluebonnet Electric Cooperative Inc. was incorporated in 1939 as the Lower Colorado River Electric Cooperative. The name of the Cooperative was changed to Bluebonnet Electric Cooperative, Inc. in 1964, to enhance a separate identity from the Lower Colorado River Authority (LCRA).

Bluebonnet serves all or part of 14 counties, covers over 3,800 square miles and serves more than 120,000 meters. Bluebonnet operates five retail centers: Bastrop, Brenham, Lockhart, Giddings and Manor. Bluebonnet is one of the largest electric cooperatives in Texas. A distribution cooperative, Bluebonnet purchases most of its power wholesale from the LCRA. Bluebonnet operates and maintains approximately 12,000 miles of distribution lines. Bluebonnet owns 26 substations and purchases power at 22 additional substations owned by the LCRA.

Bluebonnet provides this packet to all developers and their agents and it should be used as a guide in planning the installation of electrical equipment for receiving electrical power from the distribution system of Bluebonnet.

The information presented is subject to change and will be revised periodically to reflect any changes which may develop. Please refer to our website at [bluebonnet.coop](http://bluebonnet.coop) for any additional information as well as an online source of this packet.

Thank you. We look forward to working with you as your electrical provider.

Bluebonnet Project Coordination Staff

# Table of Contents

Detailed Commercial Load Data Request Form.	Page 5 and 6
Developer's Checklist	Page 7
Developer's Fees and Information.	Page 8
➤ Development Fees	
Easements/Right-of-Way	Page 9
➤ Location of Facilities.	
Developer Installed Conduit Guidelines and Procedures	Page 10
Developer's Checklist	Page 11
➤ Responsibility of Developer.	
➤ Developer's Fees and Information.	

## Bluebonnet Specifications

➤ Ditch and Conduit Placement . <b>J-3</b>	Page 12
➤ Road Crossing. <b>J-4</b>	Page 13
➤ Dimensions and Wiring Single-Phase Transformer. <b>A-2</b>	Page 14
➤ Dimensions and Wiring Single-Phase Sectionalizer. <b>C-2</b>	Page 15
➤ Three-Phase Transformer Pad 45-750 kVA. <b>B-5</b>	Page 16
➤ Three-Phase Transformer Pad 1000-2500 kVA. <b>B-6</b>	Page 17
➤ Dimensions for Three-Phase Sectionalizer 600A. <b>D-2B</b>	Page 18
➤ Secondary Junction Box Construction Standards <b>E-1</b>	Page 19
➤ Secondary Junction Box Dimensions <b>E-2</b>	Page 20
➤ Dimensions for Pad Mounted Switchgear.	Page 21
➤ Right-of-Way Clearing Guide	Page 24

## Meter Specifications

➤ <b>(MS-10115)</b> - 15' METER LOOP, Single Phase or Three Phase, 60-200 Amp Meter Loop on Meter Pole.	Page 25
➤ <b>(MS-10119)</b> - 19' METER LOOP, Single Phase or Three Phase, 60-200 Amp Meter Loop on Meter Pole.	Page 26
➤ <b>(MS-102)</b> - Single phase or Three Phase, 60-200 Amp Meter Loop on Transformer Pole.	Page 27
➤ <b>(MS-103MT)</b> - Single Phase or Three Phase, 60-200 Amp Meter Loop on	Page 28

building, Mast Type.

## Meter Specifications

- **(MS-103WT)** - Single Phase or Three Phase, 60-200 Amp Meter Loop on Building, Wall Type. Page 29
- **(MS-105)** - Single Phase or Three Phase, 60-200 Amp Multiple Meters on Rack or building not to exceed a Total of 800 Amps. Page 30
- **(MS-106)** - Single Phase or Three Phase, 60-200 Amp Meter on building. Page 31
- **(MS-106A)** - Single Phase or Three Phase, 60-200 Amp Meter on building or Rack. Page 32
- **(MS-107MT)** - Single Phase, 400 Amp Service with Meter Loop on building, Mast Type. Page 33
- **(MS-107WT)** - Single Phase, 400 Amp Service with Meter Loop on Building, Wall Type. Page 34
- **(MS-108)** - Single Phase, 400 Amp Service on Meter Rack or Building with K Base bolted in Meter Socket. Page 35
- **(MS-112B1)** - Single Phase >400-800 Amp, Service on building with CT Meter Metering on Building or Rack. Page 36
- **(MS-112B3)** - Three Phase >200-800 Amp, Service on building with CT Meter Metering on Building or Rack. Page 37
- **(MS-113B1)** - Single Phase 400-800 Amp Service with CT Metering on Rack. Page 38
- **(MS-113B3)** - Three Phase 200-800 Amp Service with CT Metering on Rack. Page 39
- **(MS-114A1)** - Single Phase 400-800 Amp, Multiple Metering Points with CT Metering on Building. Page 40
- **(MS-114B3)** - Three Phase 400-800 Amp, Multiple Metering Points with CT Metering on Building. Page 41
- **(MS-115)** - Single Phase 400-800 Amp or Three Phase 200-800 Amp Service with Multiple Metering Points on Building. Page 42
- **(MS-201)** - Single Phase or Three Phase, 60-200 Amp URD Service on Rack or Building. Page 43
- **(MS-202A1)** - Single Phase Greater than 400 Amp, Underground with Multiple Metering Points with on Building. Page 44

- **(MS-202B3)** - Three Phase Greater than 200 Amps, Underground with Multiple Metering Points with on Building. Page 45
- **(MS-203)** - Single Phase, 400 Amp URD Service on Rack or Building with K Base Bolted in Meter Socket. Page 46
- **(MS-204A3)** -Three Phase Greater than 200 Amp URD Service with Disconnect on Rack or Building. Page 47
- **(MS-204B1)** - Single Phase Greater than 400 Amp or with CT Metering on Building or Rack. Page 48
- **(MS-204B3)** - Three Phase Greater than 200 Amp with CT Metering on Building or Rack. Page 49

### **Meter Specifications**

- **(MS-205)** - Single Phase or Three Phase, 60-200 Amp URD Gang Mounted Meters on Rack or Building. Page 50
- **(MS-207)** - Single phase, 60-200 Amp Underground Multi-Pack Meters on Building. Page 51
- **(MS-207B)** -Three Phase 60-200 Amp URD Multi-Pack Meters & Three Phase Less or Greater Than 200 Amp Service on Building. Page 52
- **(MS-301A)** - Three Phase 480 Volt 3W Corner Ground Delta 60-200 Amps. Page 53
- **(MS-301C)** - Three Phase 480 Volt 3W Corner Ground Delta 60-200 Amps. Page 53
- **(MS-302)** - Temporary Meter Loop for Underground. Page 55
- **(MS-303)** - Single or Three Phase 60-200 Amp Temporary Meter Loop for Transformer and Service Poles. Page 56

Material Standards Page 57

Timeline and Contacts Page 58



# Bluebonnet Electric Cooperative, Inc. Detailed Commercial Load Data

Bluebonnet Electric Cooperative, Inc.  
Attn: Engineering Department  
3198 E. Austin Street  
Giddings, TX 78942  
Phone: (800) 842-7708

**BBEC Internal Usage Only**

Customer # \_\_\_\_\_

W.O. # \_\_\_\_\_

Email Address: \_\_\_\_\_

Applicant Name: \_\_\_\_\_

Phone No: \_\_\_\_\_

Service Address: \_\_\_\_\_

Date: \_\_\_\_\_

**REQUESTED ELECTRICAL SERVICE**    Service/Project Name: \_\_\_\_\_

**PRIMARY SERVICE**

- Overhead
- Underground

**SECONDARY SERVICE**

- Overhead
- Underground

**REQUESTED VOLTAGE**

120/240 - 1Ø 3 Wire

240/480 - 1Ø 3 Wire

• Single-phase transformers are limited to (1) 100 kVA transformer per overhead service & (1) 167 kVA pad mount transformer per underground service.

208/120 - 3Ø 4 Wire Wye

480/277 - 3Ø 4 Wire Wye

240/120 - 3Ø 4 WIRE DELTA (O/H banks only)

480 - 3Ø 3 WIRE DELTA

(O/H Banks Only Corner Grounded)

• Three-phase transformers are limited to (3) 100 kVA transformer per overhead service

Primary Meter 12.47/7.2kV or 24.9/14.4kV

**MAIN DISCONNECT** (AMPERES) New \_\_\_\_\_ Existing (If Any) \_\_\_\_\_

Total connected load in Amps (Should Match Page 2 Total). \_\_\_\_\_

**SECONDARY SERVICE ENTRANCE CONDUCTORS**

Copper Wire       Aluminum Wire

Wire Size \_\_\_\_\_ Quantity \_\_\_\_\_ per phase    Quantity \_\_\_\_\_ for the neutral

- Each Phase MUST be sized to accommodate the TOTAL DISCONNECT SIZE or FUSE/BREAKER installed.
- Commercial service MUST pull in a full size neutral whether it will be used or not.

**SECONDARY SERVICE ENTRANCE CONDUIT**

Size of Conduit \_\_\_\_\_ in.      Quantity of Conduit \_\_\_\_\_



**Building Size:** \_\_\_\_\_ SQ.FT.

**Hours of operation:** \_\_\_\_\_ **Days of the week:** \_\_\_\_\_

**Motors** (Other Than Air Conditioning)

- Motors or motor loads totaling more than 25 HP, may require soft starters or VFD's(Variable Frequency Drives) and/or 3 Phase Service. VFD's will require appropriate filtering. Please Contact Bluebonnet Electric's Engineering Department for further information.

1Ø  3Ø  \_\_\_\_\_ HP \_\_\_\_\_ Quantity \_\_\_\_\_ (Amps)

1Ø  3Ø  \_\_\_\_\_ HP \_\_\_\_\_ Quantity \_\_\_\_\_ (Amps)

1Ø  3Ø  \_\_\_\_\_ HP \_\_\_\_\_ Quantity \_\_\_\_\_ (Amps)

1Ø  3Ø  \_\_\_\_\_ HP \_\_\_\_\_ Quantity \_\_\_\_\_ (Amps)

1Ø  3Ø  \_\_\_\_\_ HP \_\_\_\_\_ Quantity \_\_\_\_\_ (Amps)

**Total Motor** \_\_\_\_\_ **HP** \_\_\_\_\_ **(Amps)**

**Total Load on System**

Heating Load \_\_\_\_\_ (Amps) \_\_\_\_\_ (kW)

A/C Load \_\_\_\_\_ (Amps) \_\_\_\_\_ (kW)

Lighting Load \_\_\_\_\_ (Amps) \_\_\_\_\_ (kW)

Motor Load \_\_\_\_\_ (Amps) \_\_\_\_\_ (kW)

Other Load \_\_\_\_\_ (Amps) \_\_\_\_\_ (kW)

**Total Load** \_\_\_\_\_ **(Amps)** \_\_\_\_\_ **(kW)**

LICENSED ELECTRICIAN/ENGINEER SIGNATURE: \_\_\_\_\_

PRINT NAME: \_\_\_\_\_ LICENSE # \_\_\_\_\_

DATE: \_\_\_\_\_ PHONE # \_\_\_\_\_

## Developer's Checklist

### **Responsibility of Developer:**

- Developer must fill out a Development Information Request Form and submit to Bluebonnet along with design fee if required.
- Developer is responsible for confirming all Bluebonnet easement requirements with Bluebonnet prior to platting.
- Developer must have an engineering firm submit preliminary plan of development in digital (AutoCAD) format to Bluebonnet Engineering Department. These plans must include streets, wet utilities, and grading plans as well as any other utilities planned for said development. BBEC will not accept removable media devices for file submissions. For files that are too large to send via email, a BBEC FTP Site will be provided.
- A design/re-design fee of \$50/hr. could be required either prior to or following the design process. This decision will be made at the discretion of Bluebonnet on a case by case basis. These fees are non-refundable and are subject to revision at Bluebonnet's discretion.
- Prior to Bluebonnet construction, two (2) hard copies of the approved plat must be submitted.
- Developer must provide and install all underground conduits at road crossings in the designated locations per Bluebonnet Crossing Plans, and if applicable, all electrical conduits in designated locations per Bluebonnet Construction Plans. See Bluebonnet Specifications. \*\*If project design includes overhead primary lines and transformers in conjunction with underground meter pedestals, Developer may install road crossings ONLY. Bluebonnet contractors shall complete installation from road crossings to point of termination and this labor and material will be figured into the respective Contribution In Aid of Construction (CIAC).\*\*
- Developer is responsible for following Bluebonnet inspection policies and procedures prior to and during conduit installation if using his own contractor (see Page 8).
- Property pins must be set and clearly visible at all property corners, at developer's expense, prior to Bluebonnet commencing construction.
- Developer is responsible for submitting contribution-in-aid of construction (CIAC) to cover Bluebonnet's construction costs prior to Bluebonnet commencing construction. Bluebonnet department will contact developer to communicate planned construction start date and duration following project being released for scheduling.
- Developer is responsible for all right-of-way clearing and grubbing to Bluebonnet specifications. Bluebonnet will clear the right-of-way for proposed overhead facilities for an additional charge. See Bluebonnet Specifications.
- Developer is responsible for ensuring conduit contractor and/or subcontractor adherence to all Bluebonnet Construction Specifications at all times.
- Developer is to provide ALL materials necessary for the conduit system he installs for his Bluebonnet Underground System. Bluebonnet will own these materials after proper installation is certified by a Bluebonnet Inspector.

## **Developer's Fees and Information**

### **Development Fees**

1. A design/re-design fee of \$50/hr. could be required either prior to or following the design process. This decision will be made at the discretion of Bluebonnet on a case by case basis. These fees are non-refundable and are subject to revision at Bluebonnet's discretion.
2. Every request for design and every alteration to all initial requests for design services may be considered as an individual request and, therefore are subject to additional fees to be determined by Bluebonnet.
3. When the developer or prospective developer enters into a line extension agreement with Bluebonnet for service, monies received for engineering design estimates of service will be applied to the cost of construction. Bluebonnet's Line Extension Policy can be found in the enclosed Member Handbook or on the "Residential Development" link on our website at [www.bluebonnetelectric.coop](http://www.bluebonnetelectric.coop)
4. If the developer or prospective developer does not notify Bluebonnet within a 180 day period of initial design with the intent to proceed, then any design fees paid to date will be forfeited and the prospective project will be treated as new.
5. A maintenance fee of \$1 per linear foot of trench will be required at the time of contribution by the developer to cover the cost of any necessary repairs in the first year following the completion of Bluebonnet facilities installation.

### **Additional Notes**

Underground electrical lines in residential developments (including apartment complexes and any commercial service) shall be looped to accommodate the ability to feed from two or more directions so that in the event of an outage the most number of customers can be provided power until the failed line or equipment is restored. Avoid looping back in the same ditch. Never loop back to the same riser pole, sectionalizing cabinet, or switchgear.



## **Easements / Right-of-Way**

1. Bluebonnet shall be granted, at no cost and in writing suitable for recording, all rights-of-way and easements necessary to serve member, overhead or underground for the erection, maintenance, repair, replacement, removal or use of all wires, poles, machinery, fixtures, or equipment needed to supply and deliver electric service to the member.
2. A signed easement granted to Bluebonnet will be required before construction will commence. Once Bluebonnet facilities are installed, the easement will adhere to the facilities, from the installation point with a 15 foot easement on each side of the centerline (30 feet of easement) of overhead facilities and 20 foot easement (10 feet on each side of the centerline), for underground facilities.
3. Only Bluebonnet equipment or material is allowed to be attached to Bluebonnet property, except where said equipment and/or materials is required to provide electrical service and said equipment and/or material has been authorized by Bluebonnet.
4. Please note that Bluebonnet facilities must be installed in easements that are exclusive to Bluebonnet with no other utilities being allowed in these easements except for buried crossings.

### **Location of Facilities**

All overhead or underground distribution lines and equipment will be located in an area that is easily accessible by Bluebonnet vehicles and personnel.

The main electrical disconnect for each electrical service shall be installed on the exterior of the building, in a location approved by Bluebonnet Electric. (2015 International Fire Code, 509.3)

## Developer Installed Conduit Guidelines and Procedures

1. Developer will review Bluebonnet's construction specifications prior to trenching and conduit installation (specifications included in this document). Developer is encouraged to contact Bluebonnet inspector listed in #3 below with any questions.
2. Developer must provide and install all underground material in the designated locations per Bluebonnet's design. Bluebonnet will provide and install the associated hardware such as sectionalizers and transformers that will be located above ground.
3. Developer will contact the Bluebonnet Project Coordinator when conduit and stub-ups are installed prior to filling the ditch (open ditch inspection). Bluebonnet will respond within 48 hours of notification. Please choose from the list of Bluebonnet Project Coordinators to schedule an inspection.
  - **Project Coordinator Rodney Gerik, may be reached at (979) 540-8814 (cell), or at [rodney.gerik@bluebonnet.coop](mailto:rodney.gerik@bluebonnet.coop).**
  - **Project Coordinator Shawn Ely, may be reached at (979) 540-7361 (cell), or at [shawn.ely@bluebonnet.coop](mailto:shawn.ely@bluebonnet.coop).**
  - **Project Coordinator Dalton Voight, may be reached at (512) 629-3771 (cell), or at [dalton.voight@bluebonnet.coop](mailto:dalton.voight@bluebonnet.coop)**
  - **Project Coordinator Shane Mathison, may be reached at (979) 542-8540, or at [shane.mathison@bluebonnet.coop](mailto:shane.mathison@bluebonnet.coop).**
  - **Project Coordinator Jorge Varillas, may be reached at (512) 764-2838, or at [Jorge.Varillas@bluebonnet.coop](mailto:Jorge.Varillas@bluebonnet.coop).**
  - **Project Coordinator Scott Iselt, may be reached at (979) 542-8522, or at [Scott.Iselt@bluebonnet.coop](mailto:Scott.Iselt@bluebonnet.coop).**
  - **Project Coordinator Wyatt Rosenauer, may be reached at (512) 332-8665, or at [Wyatt.Rosenauer@bluebonnet.coop](mailto:Wyatt.Rosenauer@bluebonnet.coop).**
4. Trenches will remain open until inspected and approved by the Bluebonnet inspector. Upon inspection, developer will be advised as to what may or may not be backfilled.
5. Bluebonnet retains the right to terminate any conduit installation if inspection reveals non-compliance with Bluebonnet inspection policies, procedures, or specifications until said issues are resolved and approved through re-inspection.
5. Equipment location and conduit stubs must meet clearance requirements on all sides as outlined in Bluebonnet Specifications.

6. Developer or his/her contractor is responsible for acquiring any and all permits and remitting any necessary fees for trench and conduit installation (excavation plans, traffic control plans, digging permits, etc.)

## **Developer's Checklist**

### **Responsibility of Developer:**

- Developer is responsible for confirming all easement requirements with Bluebonnet prior to installation.
- Developer is responsible for following Bluebonnet's inspection policies and procedures prior to and during conduit installation.
- Developer is responsible for all right-of-way clearing or grubbing to Bluebonnet's specifications.
- Developer is responsible for adherence to all Bluebonnet's Construction Specifications.

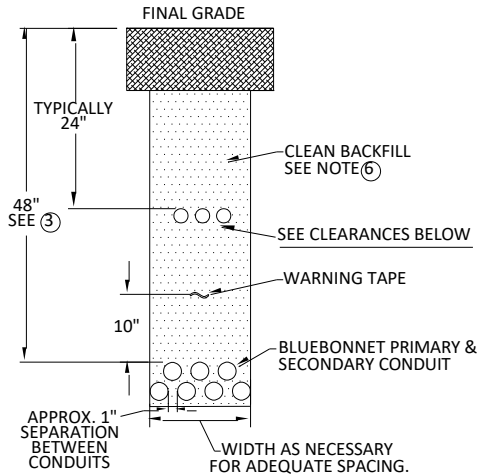
## **Developer's Fees and Information**

1. Every request for alteration to initial requests for design services are subject to additional fees to be determined by Bluebonnet.
2. Bluebonnet's Line Extension Policy can be found in the Member Handbook.
3. A maintenance fee of \$1 per linear foot of trench will be required at the time of contribution by the member to cover the cost of any necessary repairs in the first year following the completion of Bluebonnet's underground facilities installation.
4. Cost estimate given to developer will be good for **60** days.

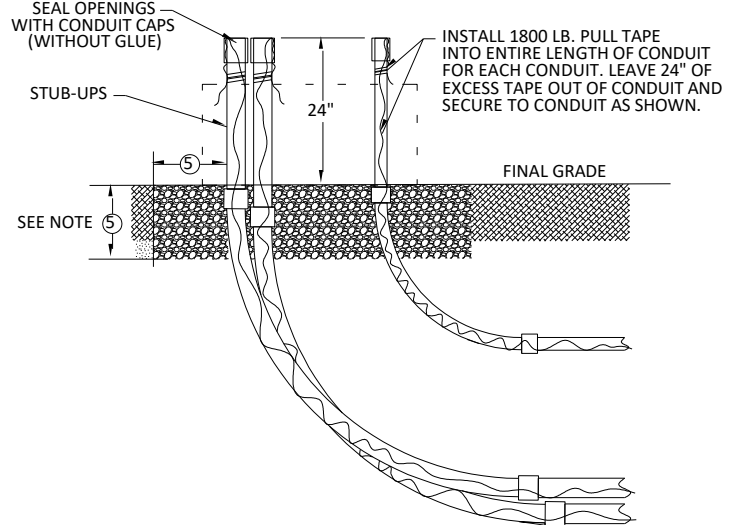
# DITCH AND CONDUIT PLACEMENT

## NON-ROAD CROSSING

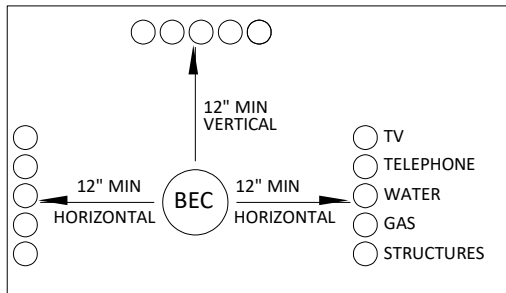
**DITCH ASSIGNMENT**  
**FRONT VIEW**



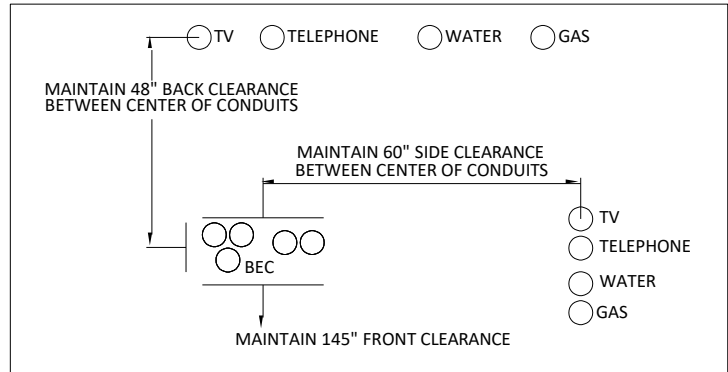
**CONDUIT STUB-UP**  
**SIDE VIEW**



**CONDUIT CLEARANCES**  
**FRONT VIEW**



**CONDUIT STUB-UP CLEARANCES**  
**TOP VIEW**



ANY CONDUITS STUBBED OUT FOR FUTURE USE SHALL EXTEND A MINIMUM OF 5' FROM EQUIPMENT. ENDS SHALL BE MARKED WITH 3" DIAMETER GREY PVC CONDUIT, EXTENDING 4' ABOVE GRADE AND PAINTED RED.

**NOTES:**

1. CONDUIT SHALL BE GREY SCHEDULE 40 PVC. | PRIMARY & SECONDARY= 3" | LIGHTING= 2"
2. CONDUIT ELBOW: PRIMARY & SECONDARY= 90°, 48" SWEEP | STREETLIGHT = 90°, 24" SWEEP
3. NORMAL DITCH COVER DEPTH IS 48". ADJUSTMENTS MAY BE MADE TO 48" DEPTH IF NECESSARY UPON BLUEBONNET APPROVAL.
4. SEPARATION FROM OTHER UTILITIES SHALL BE 12" MINIMUM OR SUFFICIENT TO PREVENT ANY FORESEEN DAMAGE OF EITHER FACILITY TO THE OTHER.
5. GRAVEL FOR PADS SHALL BE 3/8" WASHED PEA GRAVEL. DEPTH AND WIDTH SHALL BE TO EQUIPMENT SPECIFICATION.
6. BACKFILL MATERIAL SHALL BE CLEAN AND FREE FROM ALL ORGANIC MATERIAL, UNSTABLE MATERIALS, DEBRIS, LUMPS, OR BROKEN PAVING. NO ROCKS OR STONES SHALL BE GREATER THAN 1" IN ANY BACKFILL. THE BACKFILL MUST PROVIDE AN EVEN SUPPORT FOR CONDUITS. MATERIAL FOR BACKFILL MAY BE MATERIAL RESULTING FROM EXCAVATION, IF SUITABLE IN THE OPINION OF THE BBEC INSPECTOR OR BBEC PROJECT COORDINATOR.



**Bluebonnet**

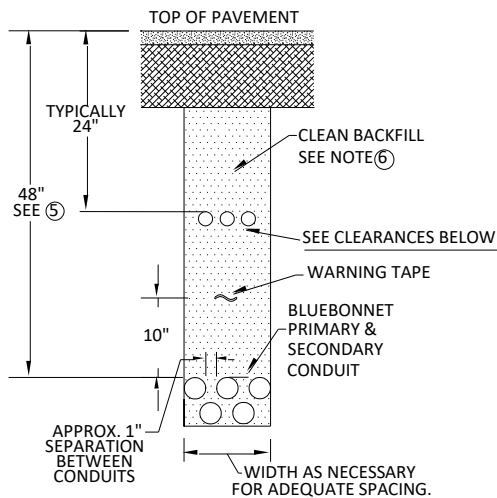
Drawn:	Approved:	Date:
CV	Project Coordinators	Oct. 31, 2019

**UNDERGROUND DISTRIBUTION**

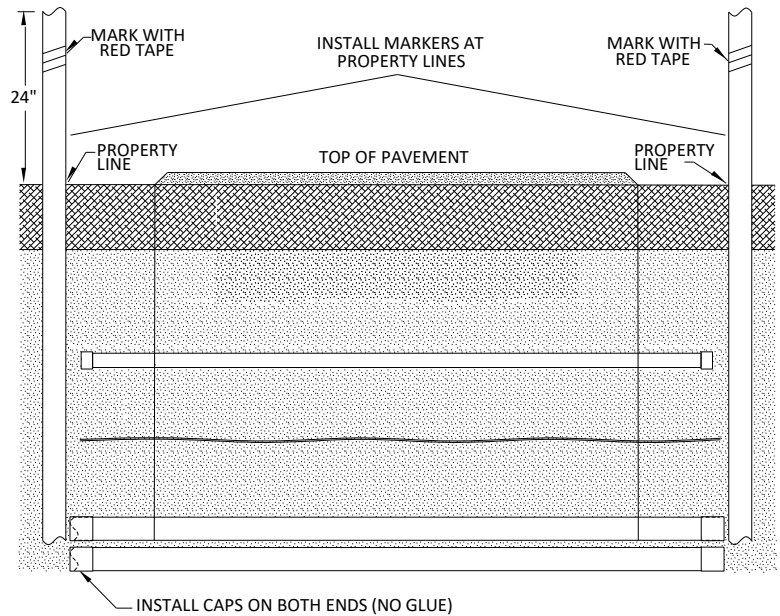
**J-3**

# DITCH AND CONDUIT PLACEMENT ROAD CROSSING

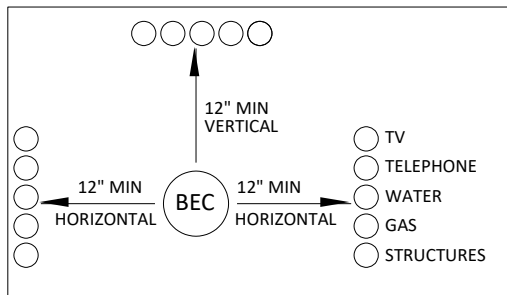
**CONDUIT  
FRONT VIEW**



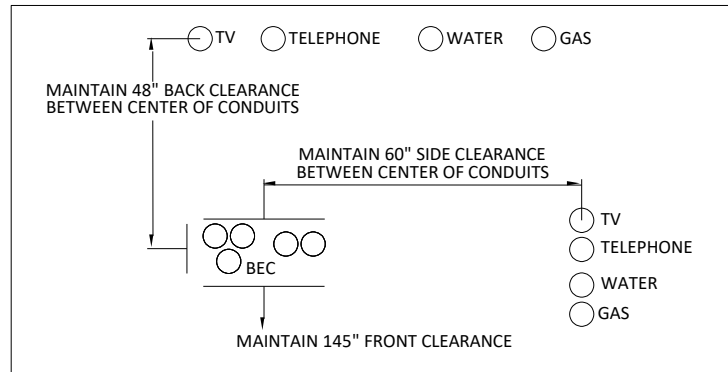
**CONDUIT  
SIDE VIEW**



**CONDUIT CLEARANCES  
FRONT VIEW**



**CONDUIT STUB-UP CLEARANCES  
TOP VIEW**



ANY CONDUITS STUBBED OUT FOR FUTURE USE SHALL EXTEND A MINIMUM OF 5' FROM EQUIPMENT. ENDS SHALL BE MARKED WITH 3" DIAMETER GREY PVC CONDUIT, EXTENDING 4' ABOVE GRADE AND PAINTED RED.

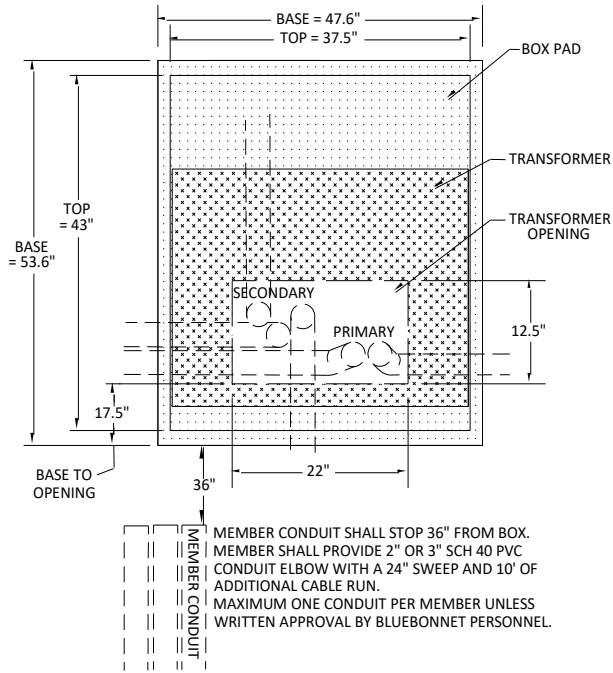
**NOTES:**

1. STATE AND LOCAL CODES MAY REQUIRE DIFFERENT STANDARDS, IN WHICH CASE THE MOST STRINGENT CODE SHALL TAKE PRECEDENCE.
2. CONDUIT SHALL BE MINIMUM GRAY SCHEDULE 40 PVC. | PRIMARY & SECONDARY = 3" | LIGHTING = 2"
3. CONDUIT ELBOW: PRIMARY & SECONDARY = 90°, 48" SWEEP | LIGHTING = 90°, 24" SWEEP
4. LENGTH OF CONDUITS SHALL BE FROM PROPERTY LINE TO PROPERTY LINE.
5. NORMAL COVER DEPTH IS 48". ADJUSTMENTS MAY BE MADE TO 48" DEPTH IF NECESSARY UPON BLUEBONNET APPROVAL.
6. BACKFILL MATERIAL SHALL BE CLEAN AND FREE FROM ALL ORGANIC MATERIAL, UNSTABLE MATERIALS, DEBRIS, LUMPS, OR BROKEN PAVING. NO ROCKS OR STONES SHALL BE GREATER THAN 1" IN ANY BACKFILL. THE BACKFILL MUST PROVIDE AN EVEN SUPPORT FOR CONDUITS. MATERIAL FOR BACKFILL MAY BE MATERIAL RESULTING FROM EXCAVATION, IF SUITABLE IN THE OPINION OF THE BBEC INSPECTOR OR BBEC PROJECT COORDINATOR.

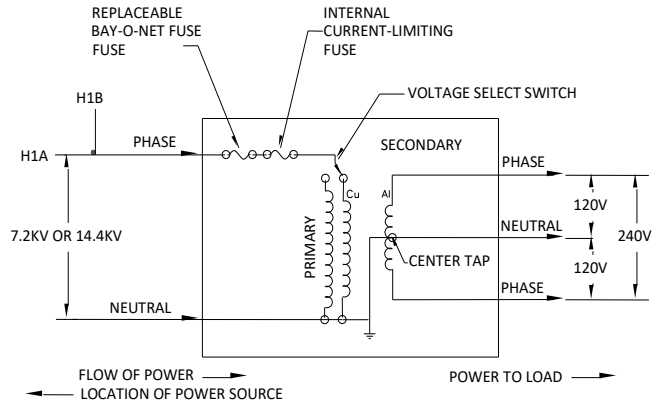
	Drawn:	Approved:	Date:	<b>UNDERGROUND DISTRIBUTION</b>	<b>J-4</b>
	CV	Project Coordinators	Oct. 31, 2019		

# 1PH PADMOUNT TRANSFORMER DIMENSIONS AND WIRING

**TOP VIEW**

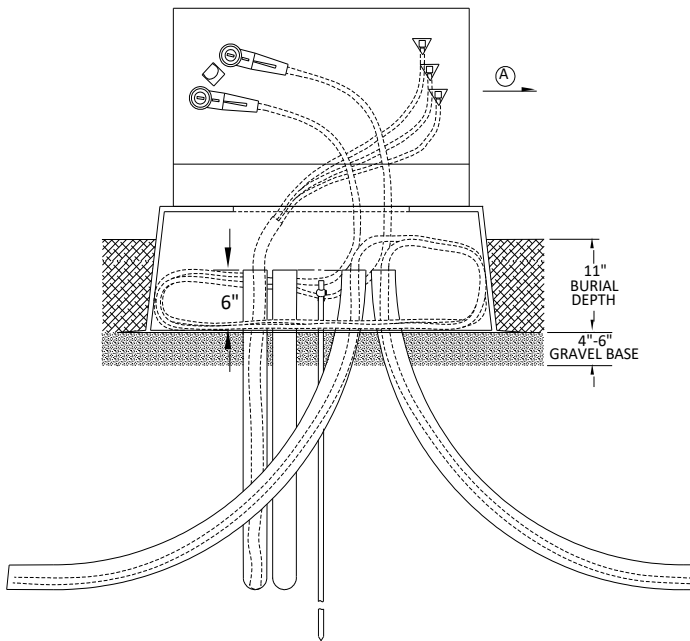


**WIRING DIAGRAM**

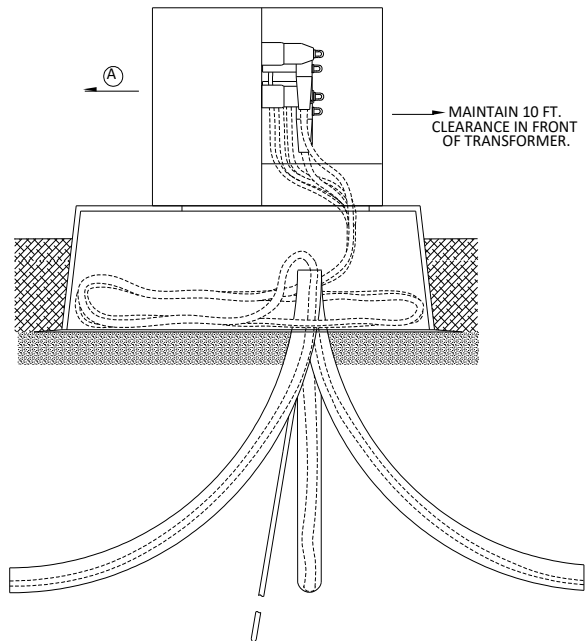


Ⓐ CLEARANCE BETWEEN WALLS AND TRANSFORMER:  
 NON-COMBUSTIBLE - 3 FT.  
 COMBUSTIBLE: UP TO 75 kVA - 10 FT.  
 GREATER THAN 75 kVA - 20 FT.

**FRONT VIEW**



**SIDE VIEW**



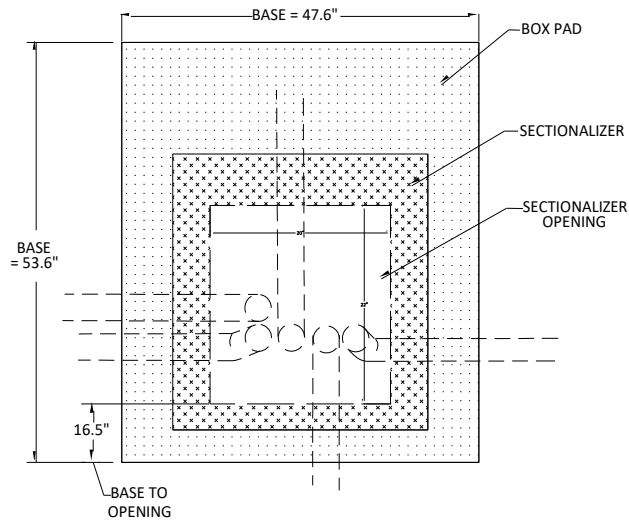
DATE APPROVED:  
 SEPTEMBER 8, 2016

UNDERGROUND DISTRIBUTION

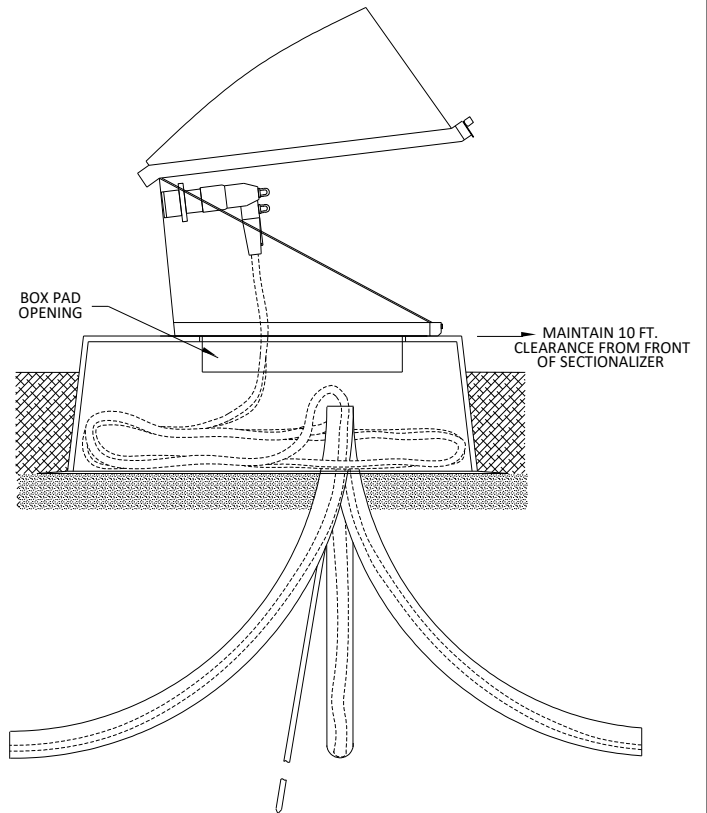
A-2

# 1PH PADMOUNT SECTIONALIZER DIMENSIONS AND WIRING

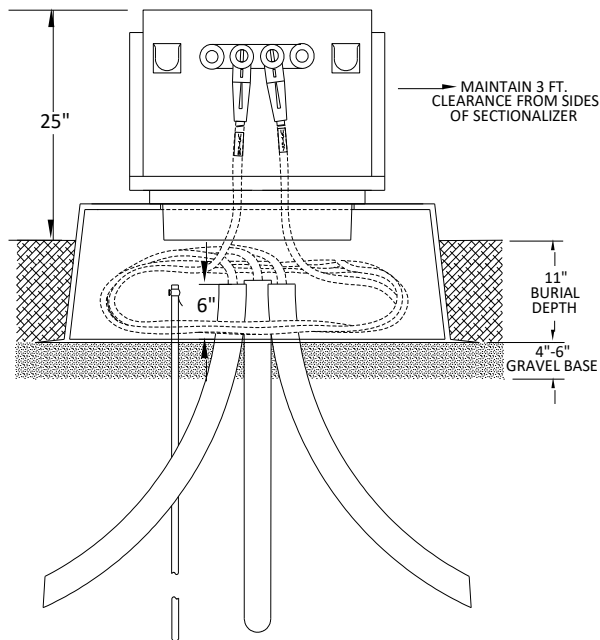
TOP VIEW



SIDE VIEW



FRONT VIEW



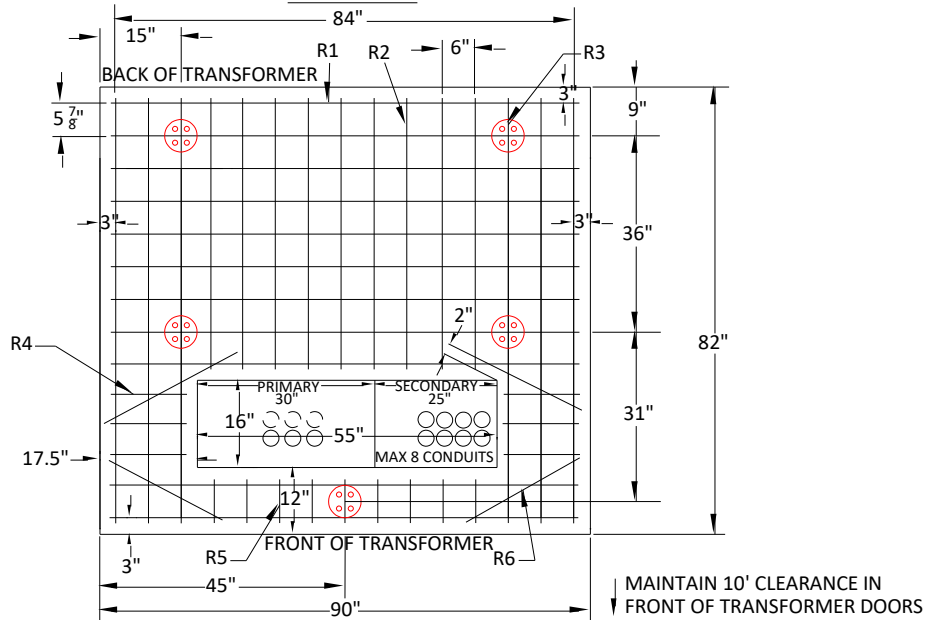
DATE APPROVED:  
SEPTEMBER 8, 2016

UNDERGROUND DISTRIBUTION

C-2

# 3PH TRANSFORMER PAD 45 - 750 KVA (UM3-A)

**TOP VIEW**

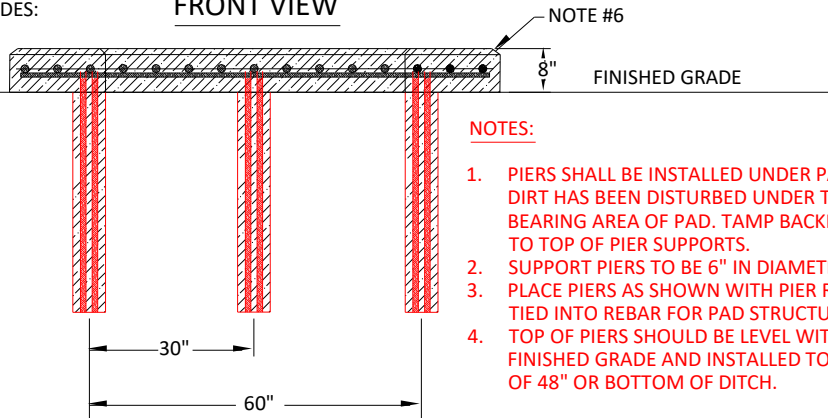


**FRONT VIEW**

MAINTAIN CLEARANCE FROM TRANSFORMER SIDES:  
 OTHER TRANSFORMERS - 5 FT.  
 NON-COMBUSTIBLE WALLS - 5 FT.  
 COMBUSTIBLE WALLS:  
 0 TO 75 KVA - 10 FT.  
 >75 KVA - 20 FT.

REINFORCING BARS; 1/2"					
R1	R2	R3	R4	R5	R6
11 X 86"	9 X 50"	6 X 78"	6 X 14"	9 X 8"	4 X 25"

SEE NOTE #3



**NOTES:**

1. PIERS SHALL BE INSTALLED UNDER PAD WHEN DIRT HAS BEEN DISTURBED UNDER THE LOAD BEARING AREA OF PAD. TAMP BACKFILL (95%) TO TOP OF PIER SUPPORTS.
2. SUPPORT PIERS TO BE 6" IN DIAMETER.
3. PLACE PIERS AS SHOWN WITH PIER REBAR TIED INTO REBAR FOR PAD STRUCTURE.
4. TOP OF PIERS SHOULD BE LEVEL WITH FINISHED GRADE AND INSTALLED TO A DEPTH OF 48" OR BOTTOM OF DITCH.

**ANY CONDUITS STUBBED OUT FOR FUTURE USE SHALL EXTEND A MINIMUM OF 5' FROM EQUIPMENT. ENDS SHALL BE MARKED WITH 3" DIAMETER GREY PVC CONDUIT, EXTENDING 4' ABOVE GRADE AND PAINTED RED.**

**NOTES:**

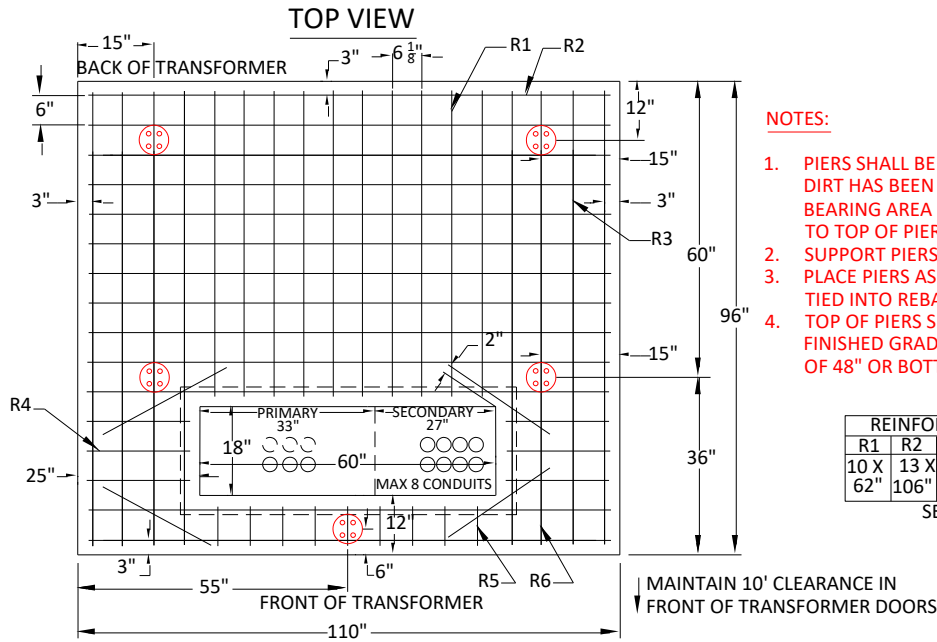
1. TAMP GROUND UNDER PAD BEFORE SETTING TO PREVENT UNEVEN SETTLING.
2. CONCRETE: 3000 POUNDS MIN. PER SQUARE INCH; 4% TO 6% ENTRAINED AIR, 3/4" MAX. SIZE AGGREGATE.
3. REINFORCING STEEL: ATSM-A615 GRADE 60; EVENLY SPACE APPROXIMATELY 6" O.C. EACH WAY AND SECURELY TIED TOGETHER.
4. MINIMUM 2 INCH CONCRETE COVER OVER REINFORCING STEEL.
5. WOOD FLOAT LEVEL FINISH LEAVING NO DEPRESSIONS.
6. 3/4" CHAMFER ALL EDGES.
7. PRIMARY AND SECONDARY CONDUIT SHALL BE INSTALLED AND SEALED BEFORE POURING PAD.
8. IF FUTURE EXPANSION TO A TRANSFORMER LARGER THAN 750 KVA IS POSSIBLE, BLUEBONNET MAY REQUEST THE CONSTRUCTION OF THE PAD ON PAGE B-6.
9. **MAXIMUM OF 8 CONDUITS, 4" SCHEDULE 40 PVC PIPES ARE ALLOWED IN THE SECONDARY COMPARTMENT.**
10. STUB THE SECONDARY PIPES AS CLOSE TO THE EDGE SECONDARY CUTOUT AS POSSIBLE. (SEE DRAWING)
11. MAXIMUM OF 6 CONDUITS, 3" SCHEDULE 40 PVC PIPES ARE ALLOWED IN THE PRIMARY COMPARTMENT.



Drawn:	Approved:	Date:	<b>UNDERGROUND DISTRIBUTION</b>	<b>B-5</b>
SF	Coordinators	Nov. 12, 2019		



# 3PH TRANSFORMER PAD 1000 - 2500 KVA (UM3-B)

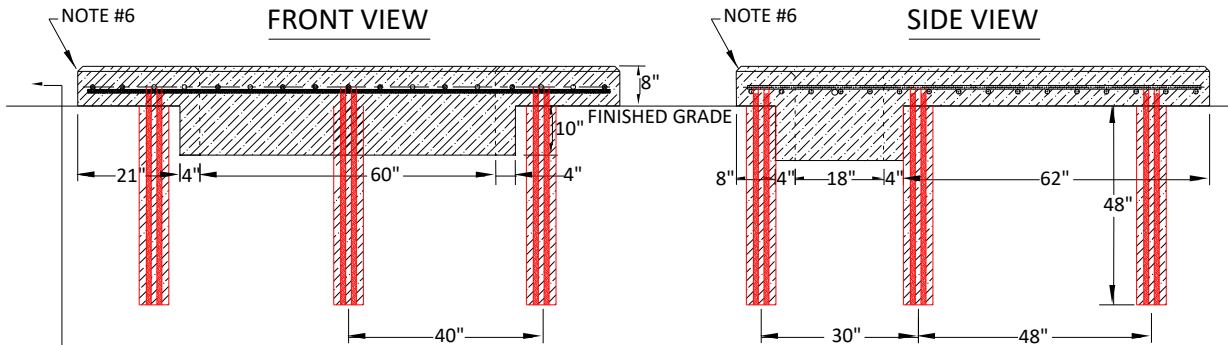


**NOTES:**

1. PIERS SHALL BE INSTALLED UNDER PAD WHEN DIRT HAS BEEN DISTURBED UNDER THE LOAD BEARING AREA OF PAD. TAMP BACKFILL (95%) TO TOP OF PIER SUPPORTS.
2. SUPPORT PIERS TO BE 6" IN DIAMETER.
3. PLACE PIERS AS SHOWN WITH PIER REBAR TIED INTO REBAR FOR PAD STRUCTURE.
4. TOP OF PIERS SHOULD BE LEVEL WITH FINISHED GRADE AND INSTALLED TO A DEPTH OF 48" OR BOTTOM OF DITCH.

REINFORCING BARS; 1/2"					
R1	R2	R3	R4	R5	R6
10 X	13 X	8 X	6 X	9 X	4 X
62"	106"	92"	21"	8"	25"

SEE NOTE #3



NOTE #6  
 MAINTAIN CLEARANCE FROM TRANSFORMER SIDES:  
 OTHER TRANSFORMERS - 5 FT.  
 NON-COMBUSTIBLE WALLS - 5 FT.  
 COMBUSTIBLE WALLS:  
 0 TO 75 KVA - 10 FT.  
 >75 KVA - 20 FT.

**NOTES:**

1. TAMP GROUND UNDER PAD BEFORE SETTING TO PREVENT UNEVEN SETTLING.
2. CONCRETE: 3000 POUNDS MIN. PER SQUARE INCH; 4% TO 6% ENTRAINED AIR, 3/4" MAX. SIZE AGGREGATE.
3. REINFORCING STEEL: ATSM-A615 GRADE 60; EVENLY SPACE APPROXIMATELY 6" O.C. EACH WAY AND SECURELY TIED TOGETHER.
4. MINIMUM 2 INCH CONCRETE COVER OVER REINFORCING STEEL.
5. WOOD FLOAT LEVEL FINISH LEAVING NO DEPRESSIONS.
6. 3/4" CHAMFER ALL EDGES.
7. PRIMARY AND SECONDARY CONDUIT SHALL BE INSTALLED AND SEALED BEFORE POURING PAD.
8. MAXIMUM OF 8 CONDUITS, 4" SCHEDULE 40 PVC PIPES ARE ALLOWED IN THE SECONDARY COMPARTMENT.
9. STUB THE SECONDARY PIPES AS CLOSE TO THE EDGE SECONDARY CUTOUT AS POSSIBLE. (SEE DRAWING)
10. MAXIMUM OF 6 CONDUITS, 3" SCHEDULE 40 PVC PIPES ARE ALLOWED IN THE PRIMARY COMPARTMENT.



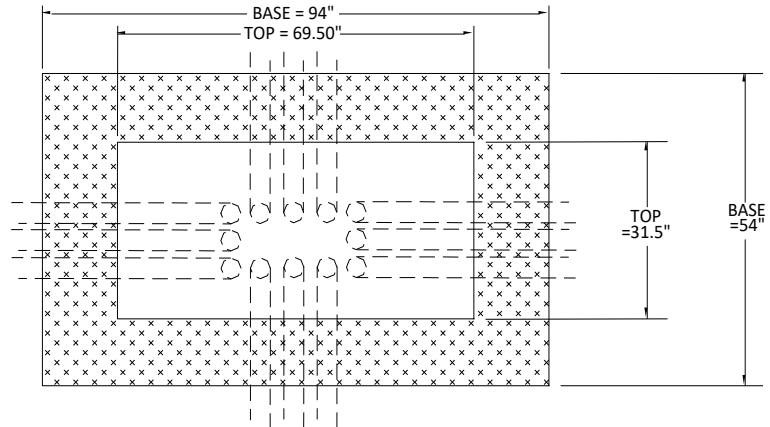
Drawn:	Approved:	Date:
SF	Coordinators	Nov. 12, 2019

UNDERGROUND DISTRIBUTION

B-6

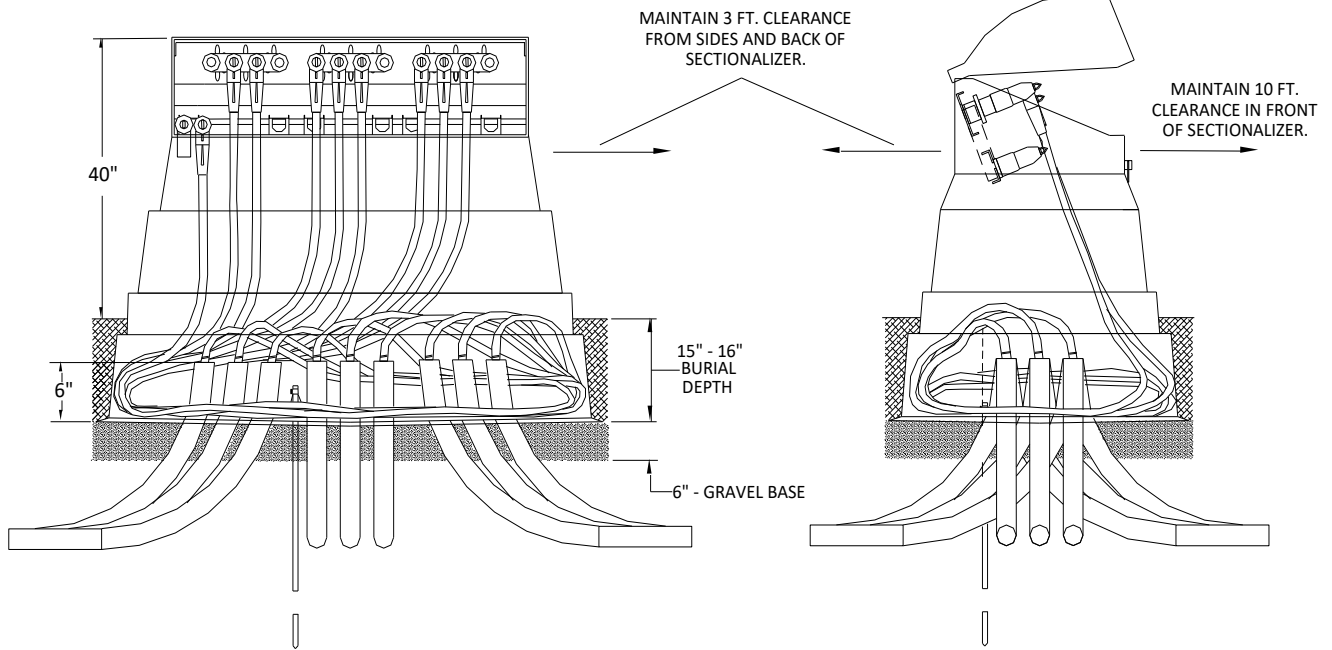
# 3PH 600A SECTIONALIZER - DIMENSIONS

TOP VIEW



FRONT VIEW

SIDE VIEW



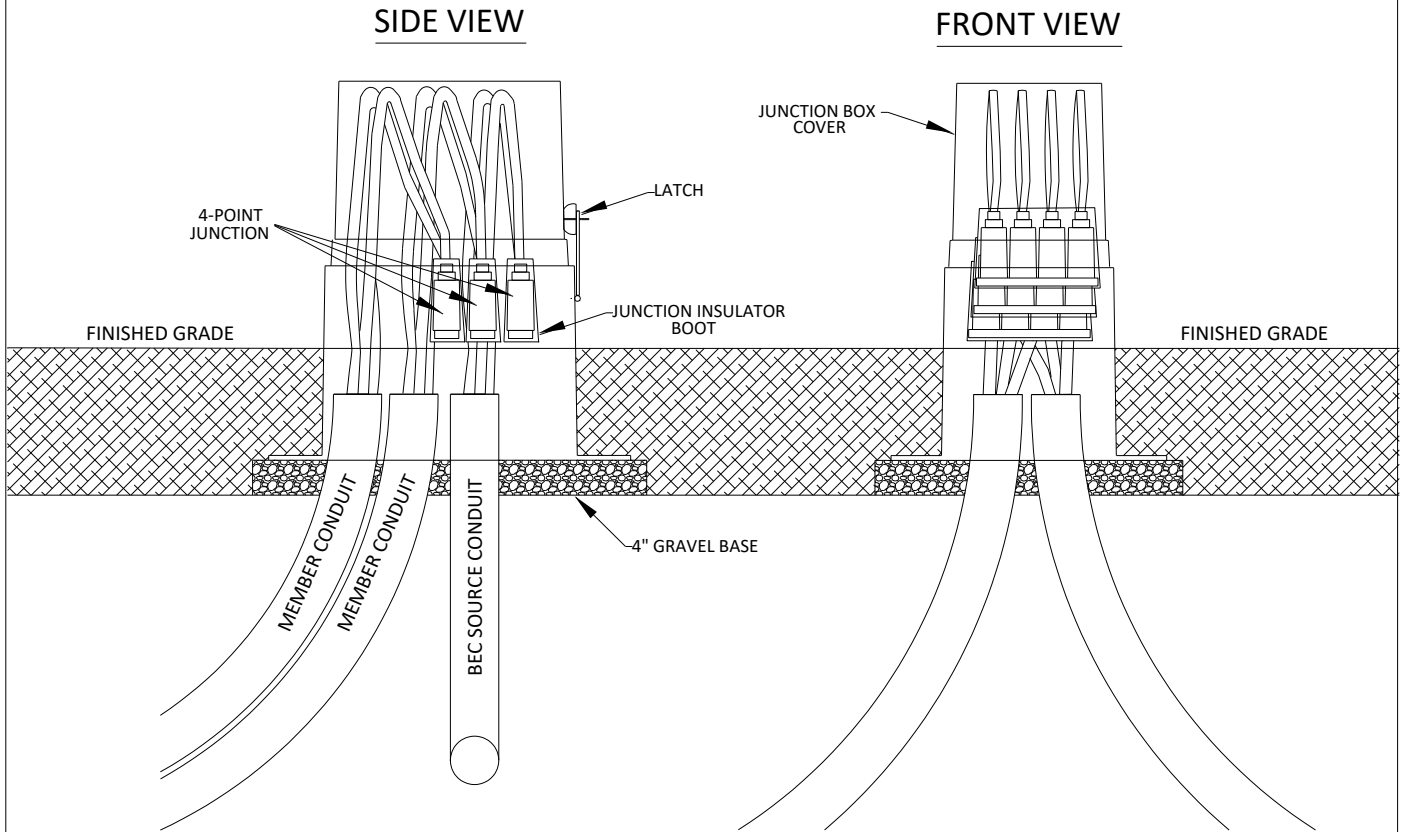
ANY CONDUITS STUBBED OUT FOR FUTURE USE SHALL EXTEND A MINIMUM OF 5' FROM EQUIPMENT. ENDS SHALL BE MARKED WITH 3" DIAMETER GREY PVC CONDUIT, EXTENDING 4' ABOVE GRADE AND PAINTED RED.



DATE APPROVED:  
SEPTEMBER 8, 2016

UNDERGROUND DISTRIBUTION D-2B


# SECONDARY JUNCTION BOX CONSTRUCTION STANDARD



**NOTES:**

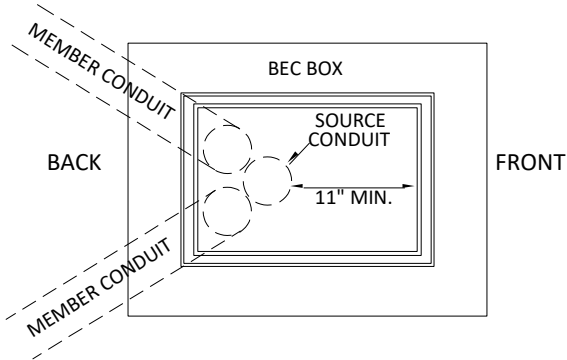
1. A MAXIMUM OF 1 INPUT AND 3 TRIPLEX OUTPUTS AND CAN BE CONNECTED IN JUNCTION BOX.  
MAX CABLE SIZE CONNECTOR ACCOMMODATES 350 KCM.
2. INSTALL INSULATED PROTECTIVE BOOT ON ALL SECONDARY JUNCTIONS.
3. EVENLY DISPERSE 4OZ. OF INSECTICIDE GRANULES IN PAD OPENING.

UJB SECONDARY JUNCTION BOX	INSECTICIDE GRANULES
UJ1-4A OR UJ1-4B 4PT SECONDARY JUNCTION BOX - QTY 3	U3P90-48 PVC ELBOW
GRAVEL	ID TAGS, COLORED TAPE, LABELS

	<b>DATE APPROVED:</b> AUGUST 15, 2015	<b>UNDERGROUND DISTRIBUTION</b>	<b>E-1</b>
---	--	---------------------------------	------------

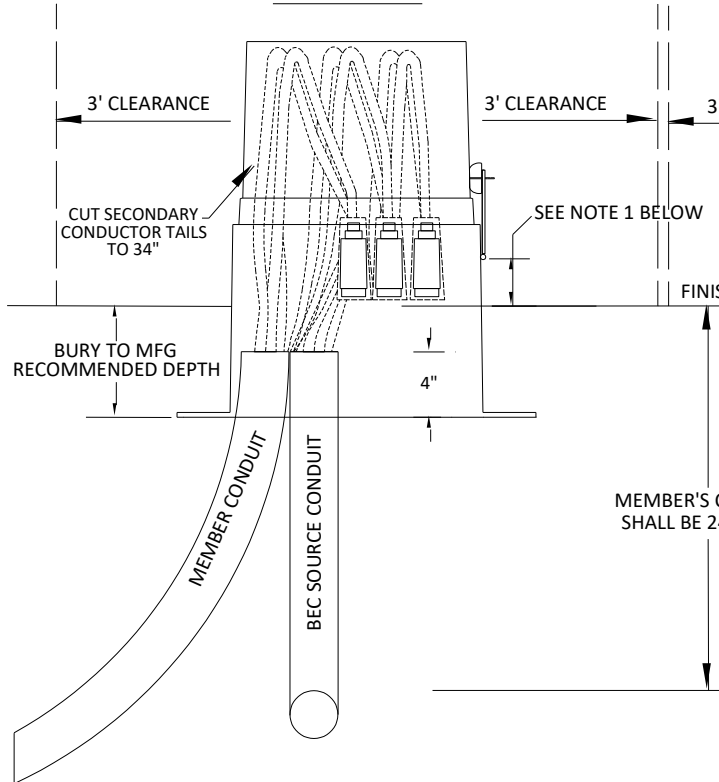
# SECONDARY JUNCTION BOX DIMENSIONS

TOP VIEW

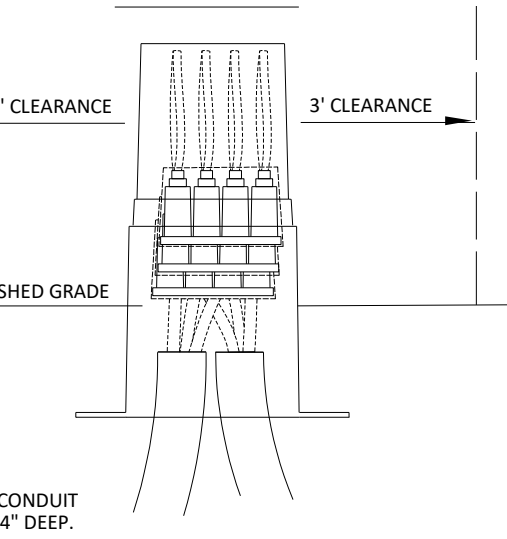


MEMBER SHALL PROVIDE 2" OR 3" SCH 40 PVC CONDUIT ELBOW WITH 10' OF ADDITIONAL CABLE RUN.  
MAX ONE CONDUIT PER MEMBER UNLESS WRITTEN APPROVAL BY BEC PERSONNEL.

SIDE VIEW



FRONT VIEW



**NOTES:**

1. LATCH AND LOCK SHALL REMAIN ABOVE GROUND LEVEL.
2. MAINTAIN 3FT CLEARANCE FROM ALL SIDES OF JUNCTION BOX.



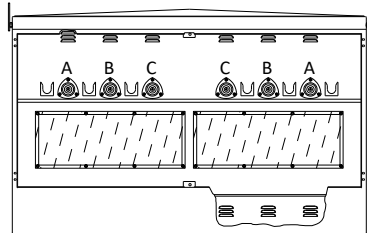
DATE APPROVED:  
SEPTEMBER 22 , 2015

UNDERGROUND DISTRIBUTION

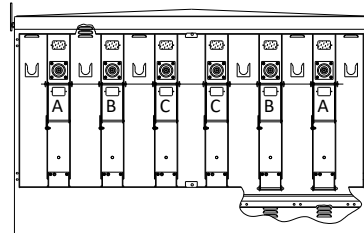
E-2

# USGE-9 SWITCHGEAR CONSTRUCTION STANDARD

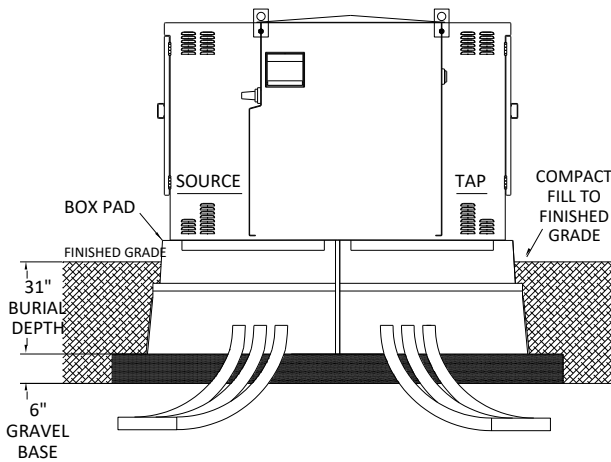
SOURCE



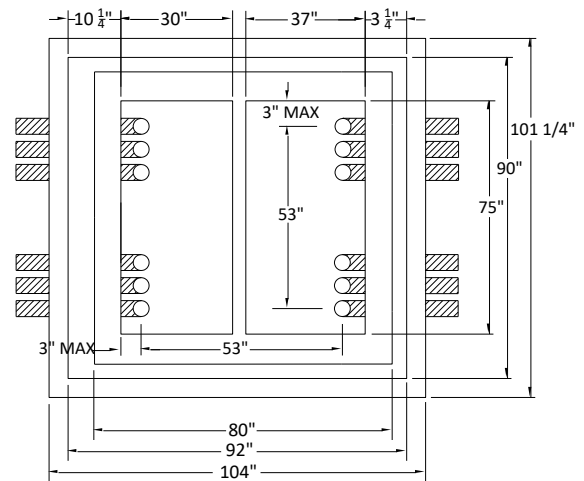
TAP



FRONT VIEW



TOP VIEW



BEC STK#:	QTY:	MATERIAL USGE-9:
13119	1	SWITCHGEAR, AIR, 2-200 FUSE, 2-600 SWITCHES
10988	2	ROD, GROUND 5/8" X 8', 13 MIL CU CLAD
10262	2	CLAMP, GRD ROD GALV 3/4 L
10333	13	CONN, SPLIT BOLT CC #2 L
11196	6.148	WIRE, COPPER BARE S.D. #2 7 STR L
10732	4	INSECTICIDE ANT CONTROL L
10779	6	LOCK, PADLOCK, STANDARD WITH BEC LOGO
10386	6	CONN,INSUL.L.B.PARKING STAND L
10237	6	CAPS, ASSY GRD TERMINATION L
11202	26.12	WIRE, COPPER BARE 4/0 19 STR L
10172	6	BUSHING, LB INSERT 25KV L
14300	6	FITTING, FUSE END, SM-20, 15/25 KV L

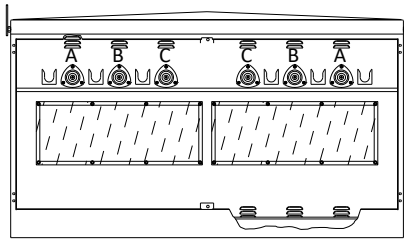


DATE APPROVED:  
MARCH 8, 2017

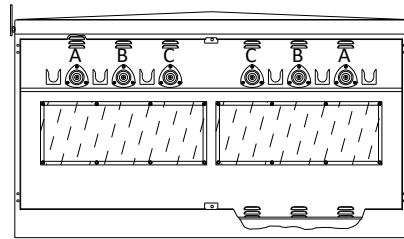
UNDERGROUND DISTRIBUTION

# USGE-10 SWITCHGEAR CONSTRUCTION STANDARD

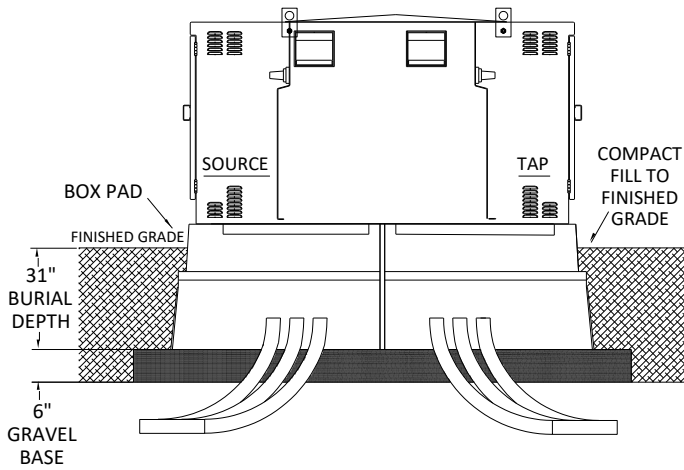
SOURCE



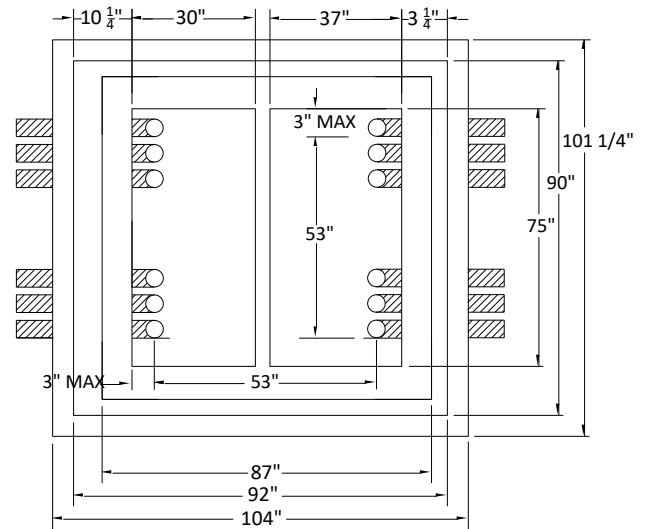
TAP



FRONT



TOP VIEW



BEC STK#:	QTY:	MATERIAL USGE-10:
13130	1	SWITCHGEAR, AIR, PADMOUNTED, 4-600 SWITCHES
10988	2	ROD, GROUND 5/8" X 8', 13 MIL CU CLAD
10262	2	CLAMP, GRD ROD GALV 3/4 L
10333	13	CONN, SPLIT BOLT CC #2 L
11196	6.148	WIRE, COPPER BARE S.D. #2 7 STR L
10732	4	INSECTICIDE ANT CONTROL L
10779	10	LOCK, PADLOCK, STANDARD WITH BEC LOGO
11202	26.12	WIRE, COPPER BARE 1/8 19 STR L

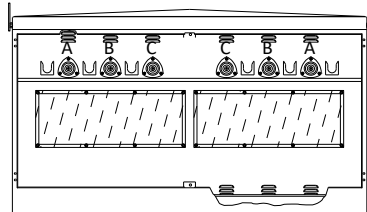


DATE APPROVED:  
MARCH 8, 2017

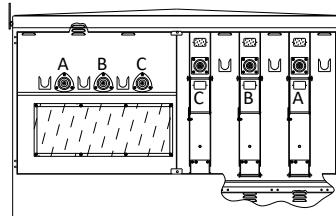
UNDERGROUND DISTRIBUTION

# PME-11 SWITCHGEAR CONSTRUCTION STANDARD

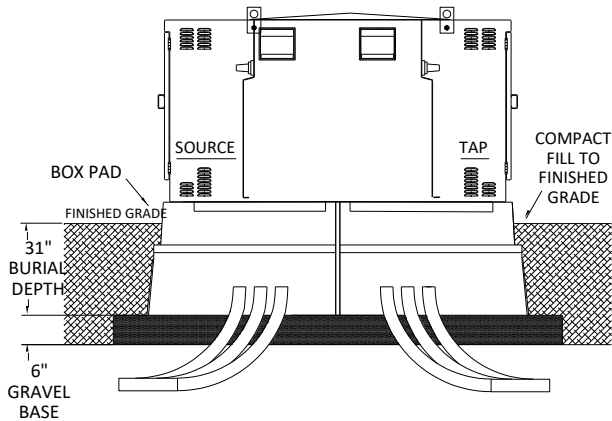
SOURCE



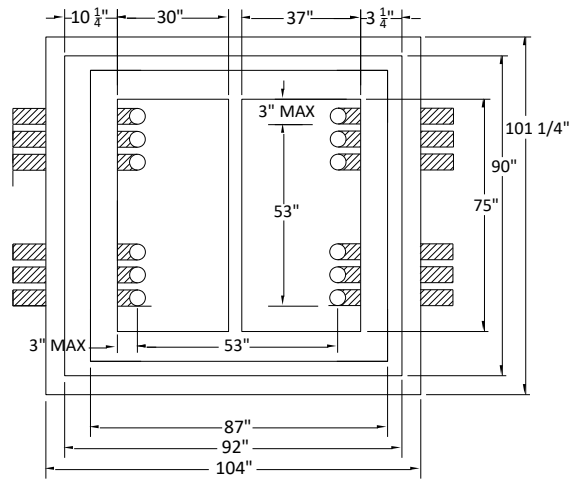
TAP



FRONT



TOP VIEW



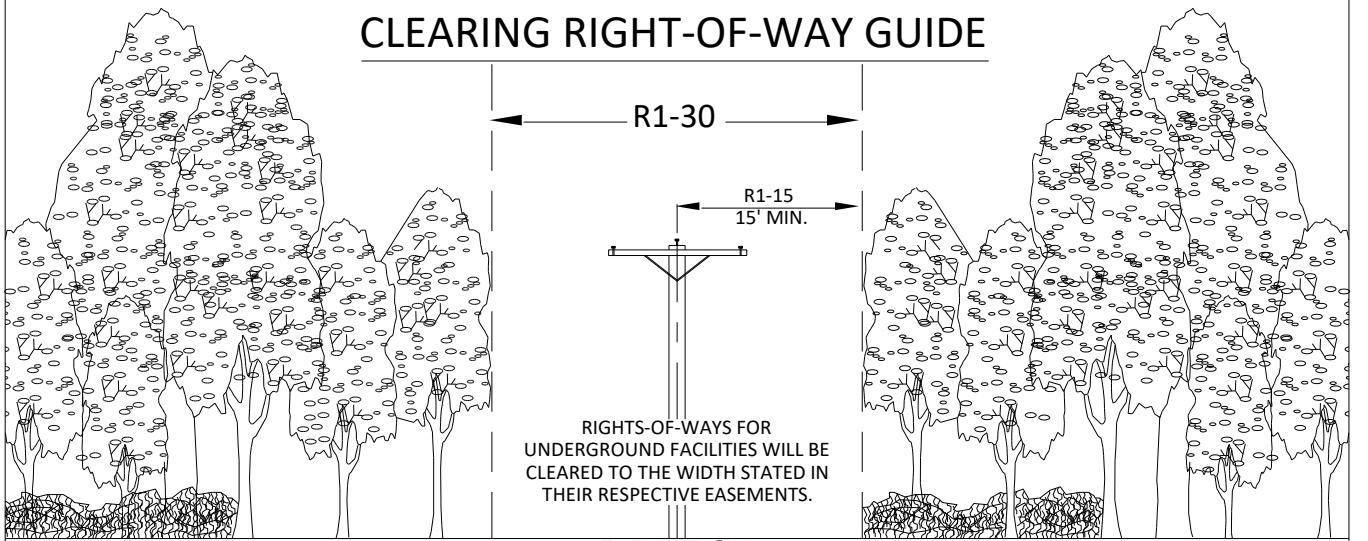
BEC STK#:	QTY:	MATERIAL USGE-9:
12971	1	SWITCHGEAR, AIR, 1-200 FUSE, 3-600 SWITCHES
10988	2	ROD, GROUND 5/8" X 8', 13 MIL CU CLAD
10262	2	CLAMP, GRD ROD GALV 3/4 L
10333	13	CONN, SPLIT BOLT CC #2 L
11196	6.148	WIRE, COPPER BARE S.D. #2 7 STR L
10732	4	INSECTICIDE ANT CONTROL L
10779	8	LOCK, PADLOCK, STANDARD WITH BEC LOGO
10386	3	CONN,INSUL.L.B.PARKING STAND L
10237	3	CAPS, ASSY GRD TERMINATION L
11202	26.12	WIRE, COPPER BARE 4/0 19 STR L
10172	3	BUSHING, LB INSERT 25KV L
14300	3	FITTING, FUSE END, SM-20, 15/25 KV L



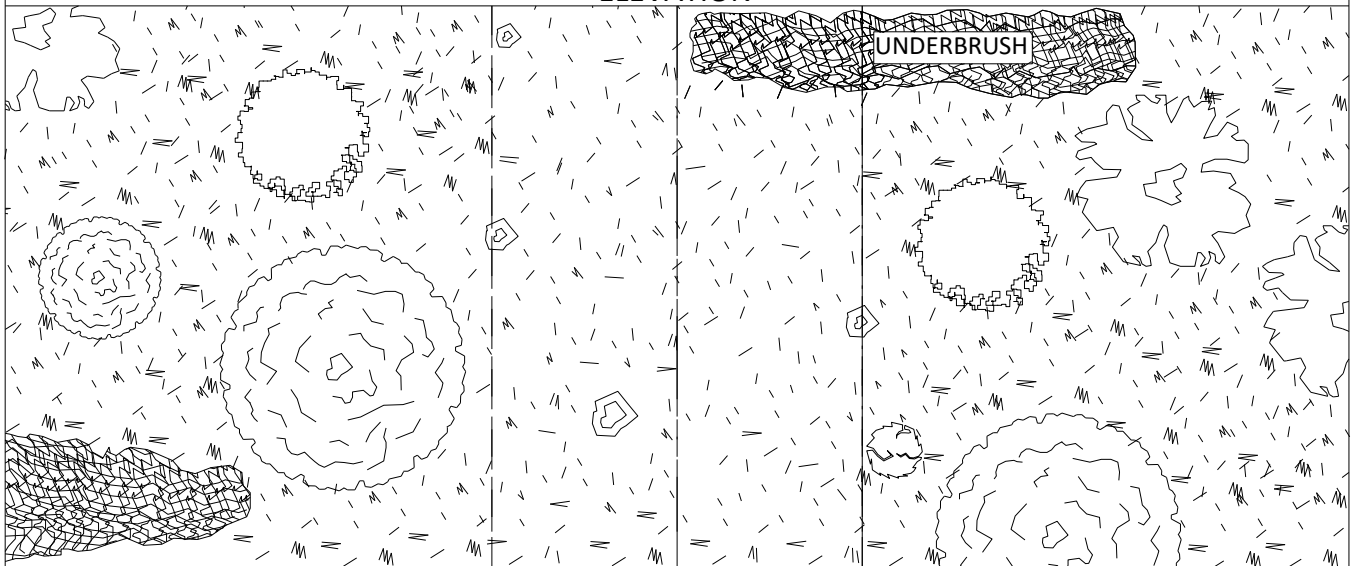
DATE APPROVED:  
MARCH 8, 2017

UNDERGROUND DISTRIBUTION

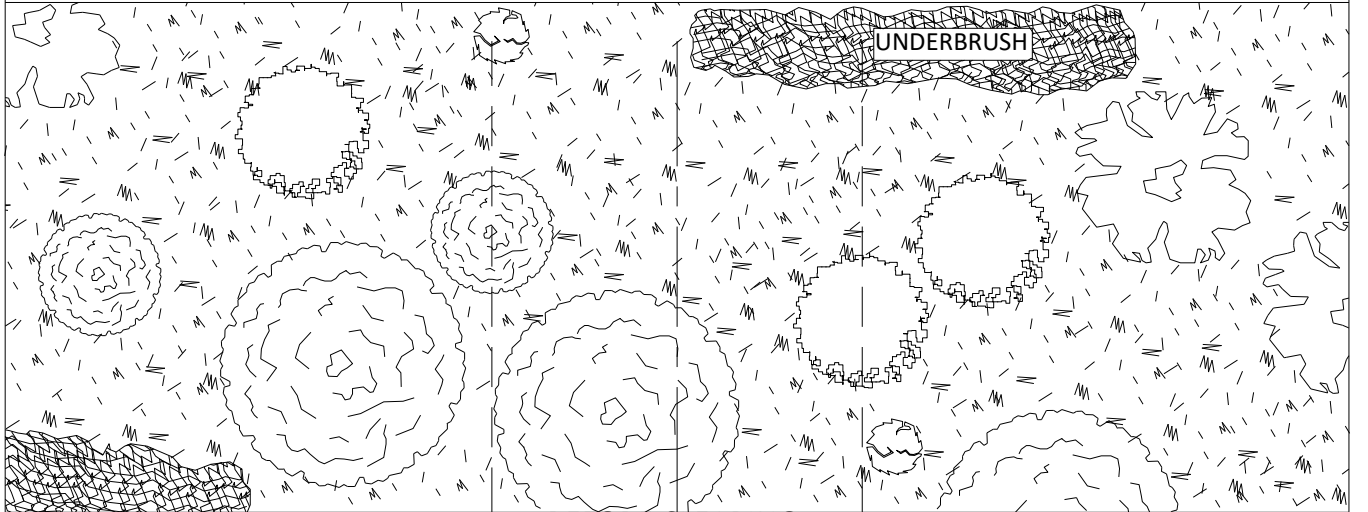
# CLEARING RIGHT-OF-WAY GUIDE



## ELEVATION



## AFTER CLEARING



## BEFORE CLEARING



## UNDERGROUND DISTRIBUTION



**Notes:**

1. Neutral (must be insulated) may be reduced no more than two sizes on residential application. No reduction of the neutral is allowed on commercial applications.
2. Weatherproof fittings required.
3. This meter loop specification is good for the following voltages: 120/240, 120/208, 240/480 & 277/480. Please use MS-301 for straight 480 Delta applications only.
4. Meter pole must remain free of structures and private attachments other than meter loop.
5. Bluebonnet Electric will supply ground rod.
6. On steel poles use a 3/8" X 1 1/2" self tapping screw.
7. For your safety, only Bluebonnet personnel are authorized to install meter loops or other BEC equipment on a Bluebonnet pole. Members shall have loop assembled and available for installation by Bluebonnet.

**FOR SINGLE PHASE TRAFFIC CONTROL DEVICES:**  
 200amp, 4 terminal, 1-phase, will require a lever by-pass meeting ANSI C12.7, UL 414, and NEMA 3R rating. Lever by-pass is only required for meter installations serving traffic control devices, including railroad, that need to remain functional at all times.

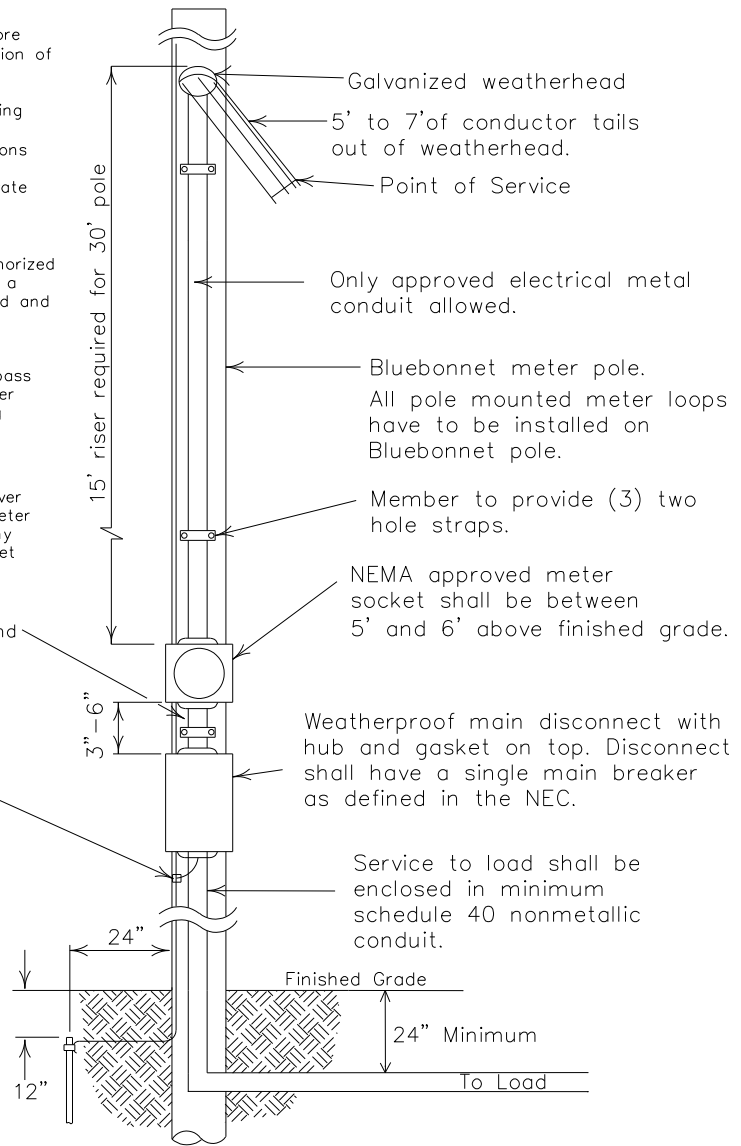
**FOR THREE PHASE APPLICATIONS DESCRIPTION:**  
 200amp, 7 terminal, 3-phase, 4-wire will require a lever by-pass meeting ANSI C12.7, UL 414, and NEMA 3R. Meter cans are available for purchase through Techline or any other electrical supplier provided it meets all Bluebonnet Electric Cooperative specifications.  
 Techline (512-332-2978)

Galvanized metal conduit with (1) locknut and fiber bushing inside meter can on nipple and (1) locknut under meter can. Maintain 3-6" distance between the meter can and the disconnect. Member shall use a metal nipple. A Straight or offset nipple is acceptable.

#6 solid, bare ground wire and clamp attached to Bluebonnet's pole ground. Ground rod provided by Bluebonnet.

\* WIRING INSTALLATIONS MUST MEET LOCAL GUIDELINES, IF APPLICABLE, SET FORTH BY CITY, COUNTY, OR OTHER GOVERNING ENTITY IN THE EVENT THESE REQUIREMENTS ARE MORE STRINGENT THAN BLUEBONNET SPECIFICATIONS. \*

FOR THE MEMBER'S SAFETY, WIRING INSTALLATIONS SHALL CONFORM TO THE REQUIREMENTS OF THE NEC, TDLR AND NESC.



Latest update can be found at <http://www.bluebonnetelectric.coop>

**CURRENT CARRYING CAPACITIES AND CONDUIT/NIPPLE SIZE REQUIREMENTS OF STANDARD WIRE SIZES**  
 (RHH, RHW, THW, THWN, THHN, AND XHHW)  
 REFER TO NEC FOR OTHER CALCULATIONS.

COPPER CONDUCTOR			ALUMINUM CONDUCTOR		
Wire Size	Breaker Size	Conduit/Nipple Size	Wire Size	Breaker Size	Conduit/Nipple Size
#6	60 Amp	1 1/4" Conduit	#4	60 Amp	1 1/4" Conduit
#4	100 Amp	1 1/2" Conduit	#2	100 Amp	1 1/4" Conduit
#2	125 Amp	1 1/2" Conduit	#1/0	125 Amp	1 1/2" Conduit
#1	150 Amp	2" Conduit	#2/0	150 Amp	2" Conduit
#2/0	200 Amp	2" Conduit	#4/0	200 Amp	2" Conduit

**15' METER LOOP**  
 1Ø OR 3Ø 60-200 AMP  
 METER LOOP ON METER POLE  
 (GOOD FOR VOLTAGES: 120/240, 120/208, 240/480, 277/480)



DATE	REVISIONS	Drawn By :	Checked By :	Approved By :
11-27-17	ADDED NIPPLE AFTER CONDUIT SIZE	RG	MS COMMITTEE	MS COMMITTEE
03-31-20	ADDED NOTE 7	Scale :	Date:	
11-04-21	ADDED MAIN BREAKER NOTE	NONE	11-04-2021	MS-10115

Notes:

1. Neutral (must be insulated) may be reduced no more than two sizes on residential application. No reduction of the neutral is allowed on commercial applications.
2. Weatherproof fittings required.
3. This meter loop specification is good for the following voltages: 120/240, 120/208, 240/480 & 277/480. Please use MS-301 for straight 480 Delta applications only.
4. Meter pole must remain free of structures and private attachments other than meter loop.
5. Bluebonnet Electric will supply ground rod.
6. On steel poles use a 3/8" X 1 1/2" self tapping screw.
7. For your safety, only Bluebonnet personnel are authorized to install meter loops or other BEC equipment on a Bluebonnet pole. Members shall have loop assembled and available for installation by Bluebonnet.

**FOR SINGLE PHASE TRAFFIC CONTROL DEVICES:**  
 200amp, 4 terminal, 1-phase, will require a lever by-pass meeting ANSI C12.7, UL 414, and NEMA 3R rating. Lever by-pass is only required for meter installations serving traffic control devices, including railroad, that need to remain functional at all times.

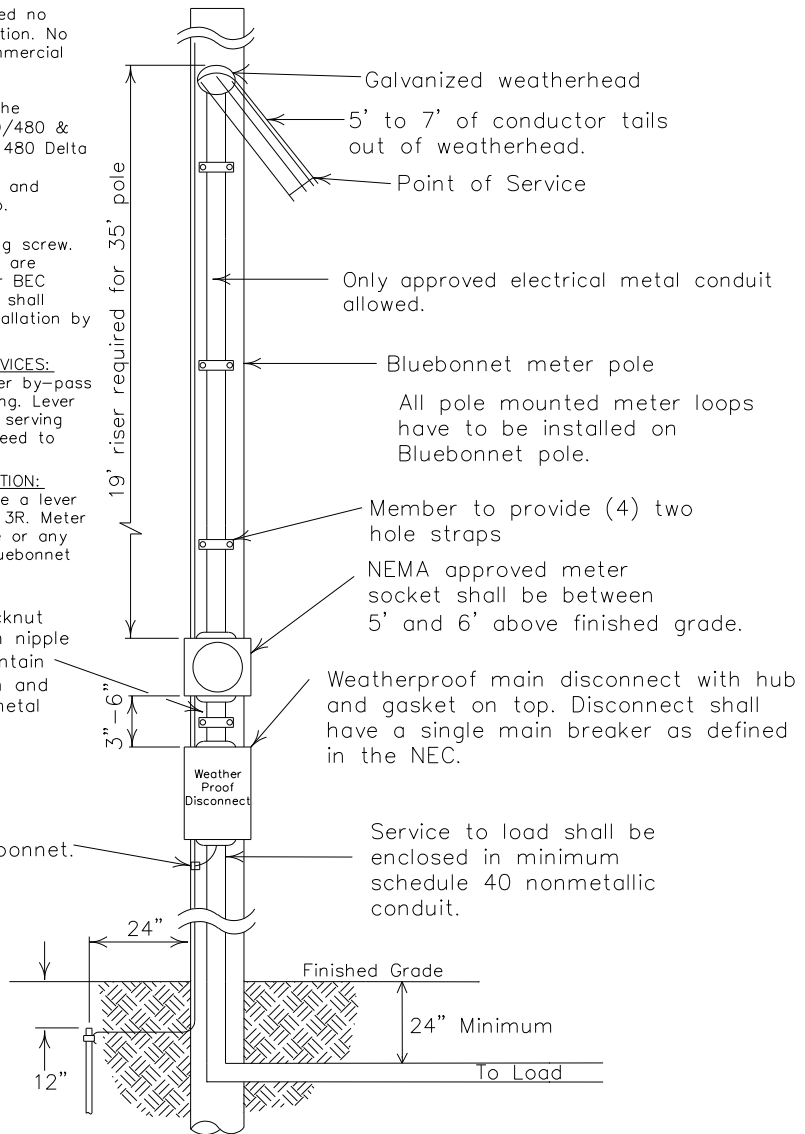
**FOR THREE PHASE APPLICATIONS DESCRIPTION:**  
 200amp, 7 terminal, 3-phase, 4-wire will require a lever by-pass meeting ANSI C12.7, UL 414, on NEMA 3R. Meter cans are available for purchase through Techline or any other electrical supplier provided it meets all Bluebonnet Electric Cooperative specifications.  
 Techline (512-332-2978)

Galvanized metal conduit with (1) locknut and fiber bushing inside meter can on nipple and (1) locknut under meter can. Maintain 3-6" distance between the meter can and the disconnect. Member shall use a metal nipple. A Straight or offset nipple is acceptable.

#6 solid, bare ground wire and clamp attached to Bluebonnet's pole ground. Ground rod provided by Bluebonnet.

\* WIRING INSTALLATIONS MUST MEET LOCAL GUIDELINES, IF APPLICABLE, SET FORTH BY CITY, COUNTY, OR OTHER GOVERNING ENTITY IN THE EVENT THESE REQUIREMENTS ARE MORE STRINGENT THAN BLUEBONNET SPECIFICATIONS. \*

FOR THE MEMBER'S SAFETY, WIRING INSTALLATIONS SHALL CONFORM TO THE REQUIREMENTS OF THE NEC, TDLR AND NESC.



Latest update can be found at <http://www.bluebonnetelectric.coop>

**CURRENT CARRYING CAPACITIES AND CONDUIT/NIPPLE SIZE REQUIREMENTS OF STANDARD WIRE SIZES**  
 (RHH, RHW, THW, THWN, THHN, AND XHHW)  
 REFER TO NEC FOR OTHER CALCULATIONS.

COPPER CONDUCTOR			ALUMINUM CONDUCTOR		
Wire Size	Breaker Size	Conduit/Nipple Size	Wire Size	Breaker Size	Conduit/Nipple Size
#6	60 Amp	1 1/4" Conduit	#4	60 Amp	1 1/4" Conduit
#4	100 Amp	1 1/4" Conduit	#2	100 Amp	1 1/4" Conduit
#2	125 Amp	1 1/2" Conduit	#1/0	125 Amp	1 1/2" Conduit
#1	150 Amp	2" Conduit	#2/0	150 Amp	2" Conduit
#2/0	200 Amp	2" Conduit	#4/0	200 Amp	2" Conduit

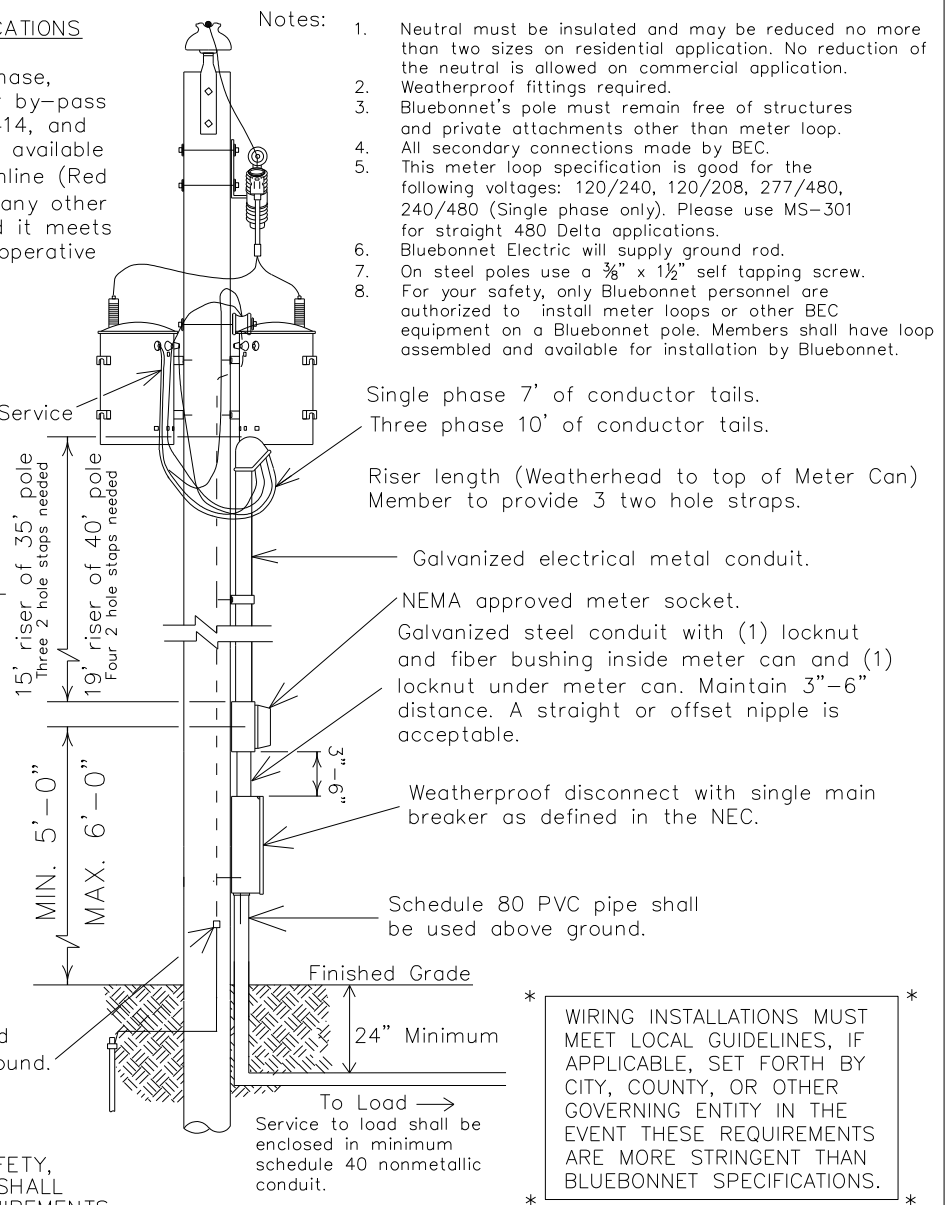
**19' METER LOOP**  
 1Ø OR 3Ø 60-200 AMP  
 METER LOOP ON METER POLE  
 (GOOD FOR VOLTAGES: 120/240, 120/208, 240/480, 277/480)

DATE	REVISIONS	Drawn By :	Checked By :	Approved By :
11-27-17	ADDED NIPPLE AFTER CONDUIT SIZE	RG	MS COMMITTEE	MS COMMITTEE
03-31-20	ADDED NOTE 7	Scale :	Date:	
11-04-21	ADDED MAIN BREAKER NOTE	NONE	11-04-2021	MS-10119

FOR THREE PHASE APPLICATIONS DESCRIPTION:  
 200amp, 7 terminal, 3-phase, 4-wire will require a lever by-pass meeting ANSI C12.7, UL 414, and NEMA 3R. Meter cans are available for purchase through Techline (Red Rock 512-332-2978) or any other electrical supplier provided it meets all Bluebonnet Electric Cooperative specifications.

FOR SINGLE PHASE TRAFFIC CONTROL DEVICES:  
 200amp, 4 terminal, 1-phase, will require a lever by-pass meeting ANSI C12.7, UL 414, and NEMA 3R rating. Lever by-pass is only required for meter installations serving traffic control devices, including railroad, that need to remain functional at all times.

FOR THE MEMBER'S SAFETY, WIRING INSTALLATIONS SHALL CONFORM TO THE REQUIREMENTS OF THE NEC, TDLR AND NESC.



CURRENT CARRYING CAPACITIES AND CONDUIT/NIPPLE SIZE REQUIREMENTS OF STANDARD WIRE SIZES (RHH, RHW, THW, THWN, AND XHHW) REFER TO NEC FOR OTHER CALCULATIONS.

COPPER CONDUCTOR			ALUMINUM CONDUCTOR		
Wire Size	Breaker Size	Conduit/Nipple Size	Wire Size	Breaker Size	Conduit/Nipple Size
#6	60 Amp	1 1/4" Conduit	#4	60 Amp	1 1/4" Conduit
#4	100 Amp	1 1/4" Conduit	#2	100 Amp	1 1/4" Conduit
#2	125 Amp	1 1/2" Conduit	#1/0	125 Amp	1 1/2" Conduit
#1	150 Amp	2" Conduit	#2/0	150 Amp	2" Conduit
#2/0	200 Amp	2" Conduit	#4/0	200 Amp	2" Conduit

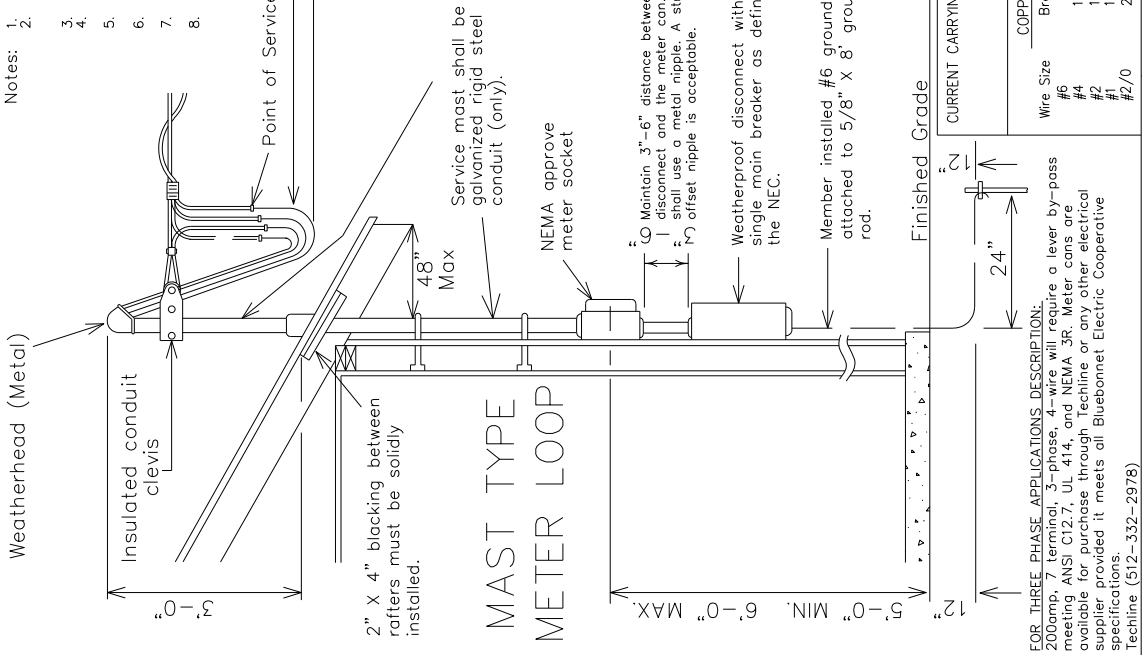
1Ø OR 3Ø 60-200 AMP METER LOOP ON TRANSFORMER POLE



DATE	REVISIONS	Drawn By :	Checked By :	Approved By :
11-27-17	ADDED NIPPLE AFTER CONDUIT SIZE	RG	MS COMMITTEE	MS COMMITTEE
03-18-20	ADDED NOTE 8	Scale :	Date:	
11-04-21	ADDED MAIN BREAKER NOTE	NONE	11-04-2021	MS-102

Latest update can be found at  
www.bluebonnetelectric.coop

- Notes:
1. Wire sized to total disconnect size. (See Chart Below)
  2. Neutral must be insulated and may be reduced no more than two sizes on residential application. No reduction of the neutral is allowed on commercial application.
  3. Weatherproofing is required.
  4. Meter loop must remain unenclosed on exterior of structure.
  5. Meter loop can not be mounted on the side of a mobile home.
  6. Reference NEC SEC. 230.9 (A) for meter clearances that state three feet from openings.
  7. Member to provide a secure and reinforced point to connect service to building.
  8. The main electrical disconnect for each electrical service shall be installed on the exterior of the building in a location approved by Bluebonnet Electric Cooperative.



FOR THREE PHASE APPLICATIONS DESCRIPTION:  
200amp, 7 terminal, 3-phase, 4-wire will require a lever by-pass meeting ANSI C12.7, UL 414, and NEMA 3R. Meter cans are available for purchase through Technline or any other electrical supplier provided it meets all Bluebonnet Electric Cooperative specifications.  
Technline (512-332-2978)

FOR THE MEMBER'S SAFETY, WIRING INSTALLATIONS SHALL CONFORM TO THE REQUIREMENTS OF THE NEC, TDLR AND NESC.

COPPER CONDUCTOR		ALUMINUM CONDUCTOR	
Wire Size	Breaker Size	Wire Size	Breaker Size
#6	60 Amp	#4	60 Amp
#4	100 Amp	#2	100 Amp
#2	125 Amp	#1/0	125 Amp
#1	150 Amp	#2/0	150 Amp
#2/0	200 Amp	#4/0	200 Amp

CONDUCTOR/NIPPLE SIZE REQUIREMENTS OF STANDARD WIRE SIZES (RHH, RHW, THW, THW, AND XHHW) REFER TO NEC FOR OTHER CALCULATIONS.

DATE	REVISIONS
11-27-17	ADDED NIPPLE TO CONDUIT SIZE
11-04-21	ADDED MAIN BREAKER NOTE

10 OR 3Ø 60-200 AMP METER LOOP ON BUILDING, MAST TYPE

Drawn By: RG

Checked By: MS COMMITTEE

Approved By: MS COMMITTEE

Date: 11-04-21

Scale: NONE

MS-103MT

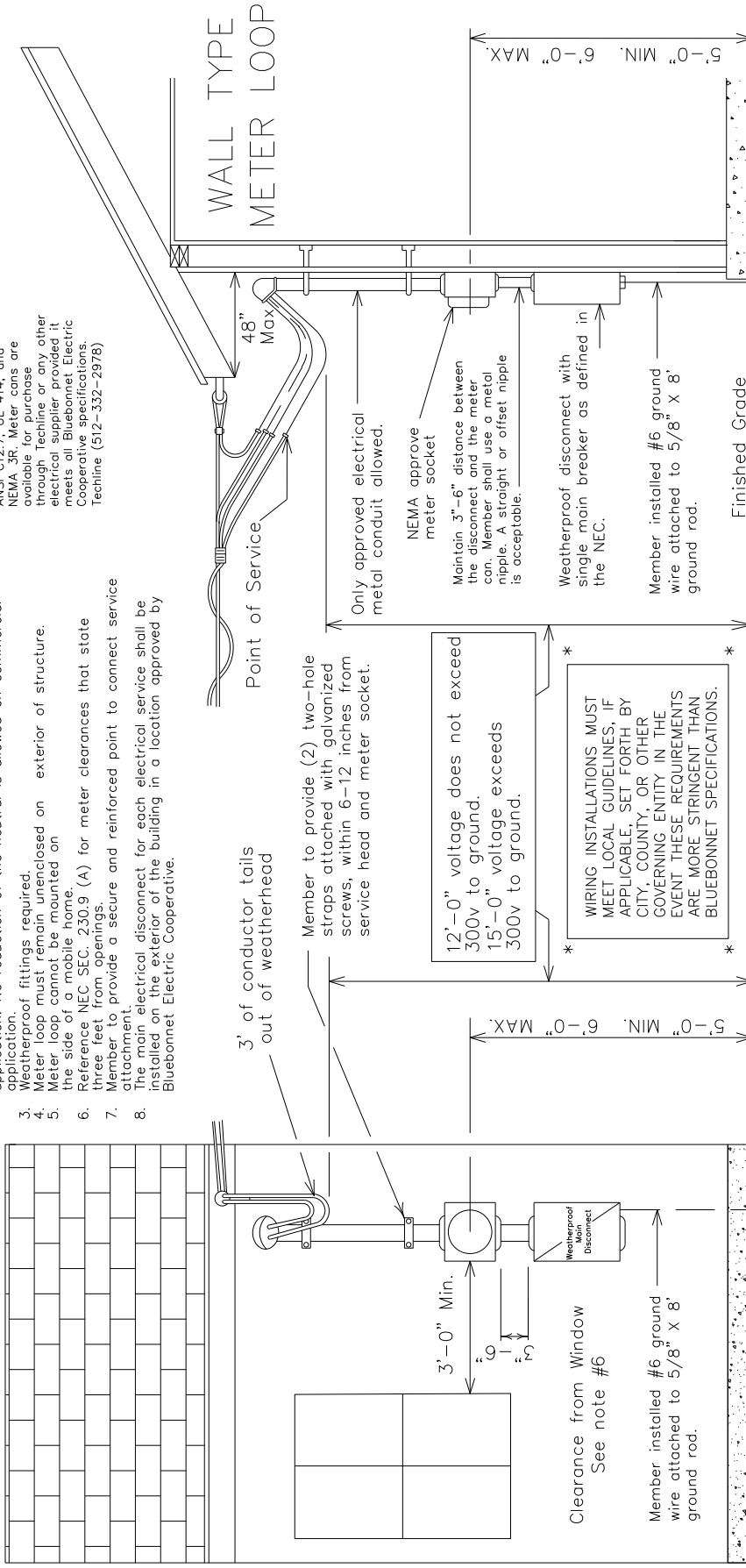
**FOR THREE PHASE APPLICATIONS**

**DESCRIPTION:**

200amp, 7 terminal, 3-phase, 4-wire will require a lever-by-pass meeting ANSI C12.7, UL 414, and NEMA 3R. Meter cans are available for purchase through Technic or any other electrical supplier provided it meets all Bluebonnet Electric Cooperative specifications. Technic (512-352-2978)

**Notes:**

1. Wire sized to total disconnect size.
2. Neutral may be reduced no more than two sizes on residential application. No reduction of the neutral is allowed on commercial application.
3. Weatherproof fittings required.
4. Meter loop must remain unenclosed on exterior of structure.
5. Meter loop cannot be mounted on the side of a mobile home.
6. Reference NEC SEC. 230.9 (A) for meter clearances that state three feet from openings.
7. Member to provide a secure and reinforced point to connect service attachment.
8. The main electrical disconnect for each electrical service shall be installed on the exterior of the building in a location approved by Bluebonnet Electric Cooperative.



**CURRENT CARRYING CAPACITIES AND CONDUIT/NIPPLE SIZE REQUIREMENTS OF STANDARD WIRE SIZES**  
(RH, RHH, RHW, THW, AND XHHW)  
REFER TO NEC FOR OTHER CALCULATIONS.

COPPER CONDUCTOR		ALUMINUM CONDUCTOR	
Wire Size	Breaker Size	Conduit/Nipple Size	Conduit/Nipple Size
#4	60 Amp	1 1/2" Conduit	1 1/2" Conduit
#2	100 Amp	1 3/4" Conduit	1 3/4" Conduit
#1	125 Amp	2" Conduit	2" Conduit
#2/0	150 Amp	2 1/2" Conduit	2 1/2" Conduit
	200 Amp	3" Conduit	3" Conduit

FOR THE MEMBER'S SAFETY, WIRING INSTALLATION AND MATERIAL SHALL CONFORM TO THE REQUIREMENTS OF THE NEC, TDLR AND NESC.



10 OR 30 60-200 AMP METER LOOP ON BUILDING, WALL TYPE

Date: 11-27-17

11-04-21 ADDED NIPPLE TO CONDUIT SIZE

ADDED MAIN BREAKER NOTE

Drawn By: RG

Scale: NONE

Checked By: MS COMMITTEE

Date: 11-04-20

Approved By: MS COMMITTEE

Date: 11-04-20

MS-103WT

Latest update can be found at [www.bluebonnetelectric.coop](http://www.bluebonnetelectric.coop)

Notes:

- Line taps shall be made in the galvanized trough by the electrical contractor.  
No more than (2) conductors per phase shall be allowed.
- No more than (2) risers will be connected per installation.
- Weatherproof fittings required.
- Wire sized to total disconnect sizes.
- Neutral(s) may be reduced no more than two sizes on residential application. No reduction of the neutral is allowed on commercial application.
- Bluebonnet pole must remain free of structures and private attachments other than meter loop riser assembly.
- Meter assembly must remain unenclosed on exterior of structure.
- Meter assembly cannot be mounted on a mobile home.
- If secondary service exceeds (2) 2", 3", or 4" approved electrical metal conduit; BEC will install a primary underground transformer at member's expense.
- Maintain 3"-6" distance between the disconnect and the meter can. Member shall use a metal nipple. A straight or offset nipple is acceptable.
- #6 solid, bare ground copper wire and clamp attached to Bluebonnet's pole ground.
- The main electrical disconnect for each electrical service shall be installed on the exterior of the building in a location approved by Bluebonnet Electric Cooperative.

Ⓐ Transformer Pole Riser Length:  
35' Pole = 20' Riser  
40' Pole = 24' Riser

Ⓑ Service Pole Riser Length:  
30' Pole = 20' Riser  
35' Pole = 24' Riser

Ⓒ Member's Conduit  
Member's conduit shall be installed 8"-12" from pole.

FOR THREE PHASE APPLICATIONS

DESCRIPTION:

200amp, 7 terminal, 3-phase, 4-wire will require a lever by-pass meeting ANSI C12.7, UL 414, and NEMA 3R. Meter cans are available for purchase through Techline or any other electrical supplier provided it meets all Bluebonnet Electric Cooperative specifications. Techline (512-332-2978)

RISER ONLY

Only 2", 3", or 4" approved electrical metal conduct allowed above finished grade. Risers will not exceed 2 risers per pole. Member will provide 10' of conductor tails from top of weatherhead. BEC to supply Stand-Offs. (Bluebonnet to mount risers to pole)

No more than four 60-200 amp metersockets and weatherproof main disconnects. No more than one disconnect per enclosure.

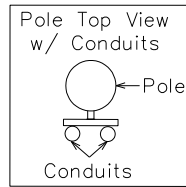
8" ground rod to be driven 12" below grade

3000 PSI. Concrete Min.

24" Minimum

To Load  
Service to load cable enclosed in minimum schedule 40 nonmetallic conduit.

Equipment rack 2" or 3" steel pipe with uni-strut horizontal support.

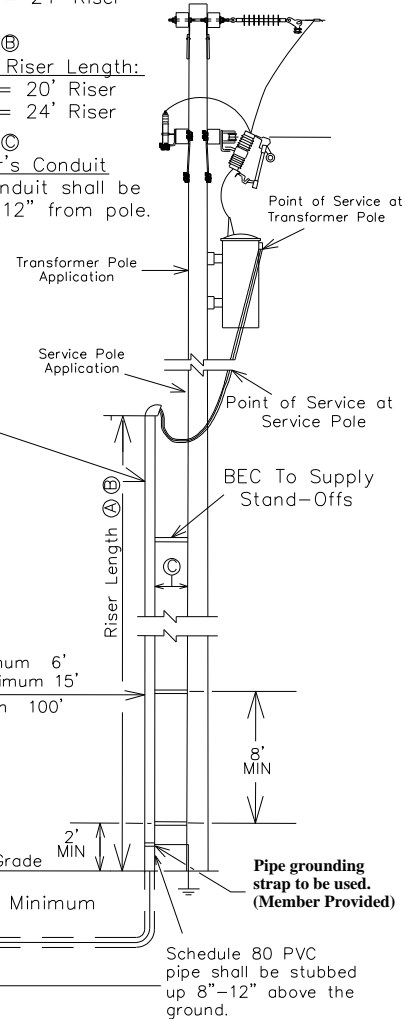


Galvanized Trough  
Rack minimum 6'  
Building minimum 15'  
Maximum 100'

5" MIN. - 6" MAX.  
Center of Meter

Finished Grade  
24" Minimum

30" MIN.  
8" Min. Dia.  
Minimum schedule 40 rigid nonmetallic service conduit below finished grade. No schedule 40 conduit allowed above ground level on source side of main disconnect.



\* WIRING INSTALLATIONS MUST MEET LOCAL GUIDELINES, IF APPLICABLE, SET FORTH BY CITY, COUNTY, OR OTHER GOVERNING ENTITY IN THE EVENT THESE REQUIREMENTS ARE MORE STRINGENT THAN BLUEBONNET SPECIFICATIONS. \*

FOR THE MEMBER'S SAFETY, WIRING INSTALLATION AND MATERIAL SHALL CONFORM TO THE REQUIREMENTS OF THE NEC, TDLR AND NESC.

Latest update can be found at [www.bluebonnetelectric.coop](http://www.bluebonnetelectric.coop)

CURRENT CARRYING CAPACITIES AND CONDUIT/NIPPLE SIZE REQUIREMENT OF STANDARD WIRE SIZE. (RHH, RHW, THW, THWN, THHN, AND XHHW) REFER TO NEC FOR OTHER CALCULATIONS.					
WIRE SIZE	COPPER CONDUCTOR/ BREAKER SIZE	CONDUIT/NIPPLE SIZE	WIRE SIZE	ALUMINUM CONDUCTOR BREAKER SIZE	CONDUIT/NIPPLE SIZE
#6	60 AMP	1 1/4" CONDUIT	#4	60 AMP	1 1/4" CONDUIT
#4	100 AMP	1 1/2" CONDUIT	#2	100 AMP	1 1/2" CONDUIT
#2	125 AMP	1 3/4" CONDUIT	#1/0	125 AMP	1 3/4" CONDUIT
#1	150 AMP	2" CONDUIT	#2/0	150 AMP	2" CONDUIT
#2/0	200 AMP	2" CONDUIT	#4/0	200 AMP	2" CONDUIT

1Ø OR 3Ø 60-200 AMP MULTIPLE METERS ON RACK OR BUILDING NOT TO EXCEED A TOTAL OF 800 AMPS



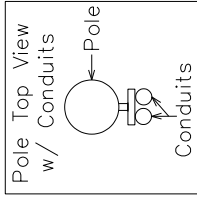
DATE	REVISIONS	Drawn By :	Checked By :	Approved By :
12-07-2017	ADDED WIRE SIZING CHART.	RG	MS COMMITTEE	MS COMMITTEE
11-19-2019	ADDED SOLID COPPER NOTE.	Scale :	Date :	
11-04-2021	ADDED MAIN BREAKER NOTE.	NONE	11-04-2021	MS-105

CURRENT CARRYING CAPACITIES AND CONDUIT/NIPPLE SIZE REQUIREMENT OF STANDARD WIRE SIZE (RHH, RW, THW, THWN, THHN, AND XHHW) REFER TO NEC FOR OTHER CALCULATIONS.	
<b>COPPER CONDUCTOR</b>	
WIRE SIZE	CONDUIT/NIPPLE SIZE
#6	1/4" CONDUIT
#4	1/2" CONDUIT
#2	3/4" CONDUIT
#1	1" CONDUIT
#1/0	2" CONDUIT
<b>ALUMINUM CONDUCTOR</b>	
WIRE SIZE	CONDUIT/NIPPLE SIZE
#4	1/4" CONDUIT
#2	1/2" CONDUIT
#1	3/4" CONDUIT
#1/0	1" CONDUIT
#2/0	2" CONDUIT

**FOR THREE PHASE APPLICATIONS**  
**DESCRIPTION:**  
 200amp, 7 terminal, 3-phase, 4-wire will require a lever by-pass meeting ANSI C12.7, UL 414, and NEMA 3R. Meter cans are available for purchase through Techline or any other electrical supplier provided it meets all Bluebonnet Electric Cooperative specifications. Techline (512-332-2978)

- Notes:**
- Weatherproof fittings required.
  - Wire sized to total disconnect size.
  - Neutral may only be reduced two sizes on residential application. No reduction of the neutral is allowed on commercial application.
  - Bluebonnet pole must remain free of structures and private attachments other than meter loop riser assembly. Meter assembly must remain unenclosed on exterior of structure.
  - Meter assembly cannot be mounted on a mobile home.
  - All secondary connections made by BEC.
  - #6 solid, bare ground copper wire and clamp attached to Bluebonnet's pole ground.
  - The main electrical disconnect for each electrical service shall be installed on the exterior of the building in a location approved by Bluebonnet Electric Cooperative.

**Riser Length:**  
 35' Pole = 20' Riser  
 40' Pole = 24' Riser



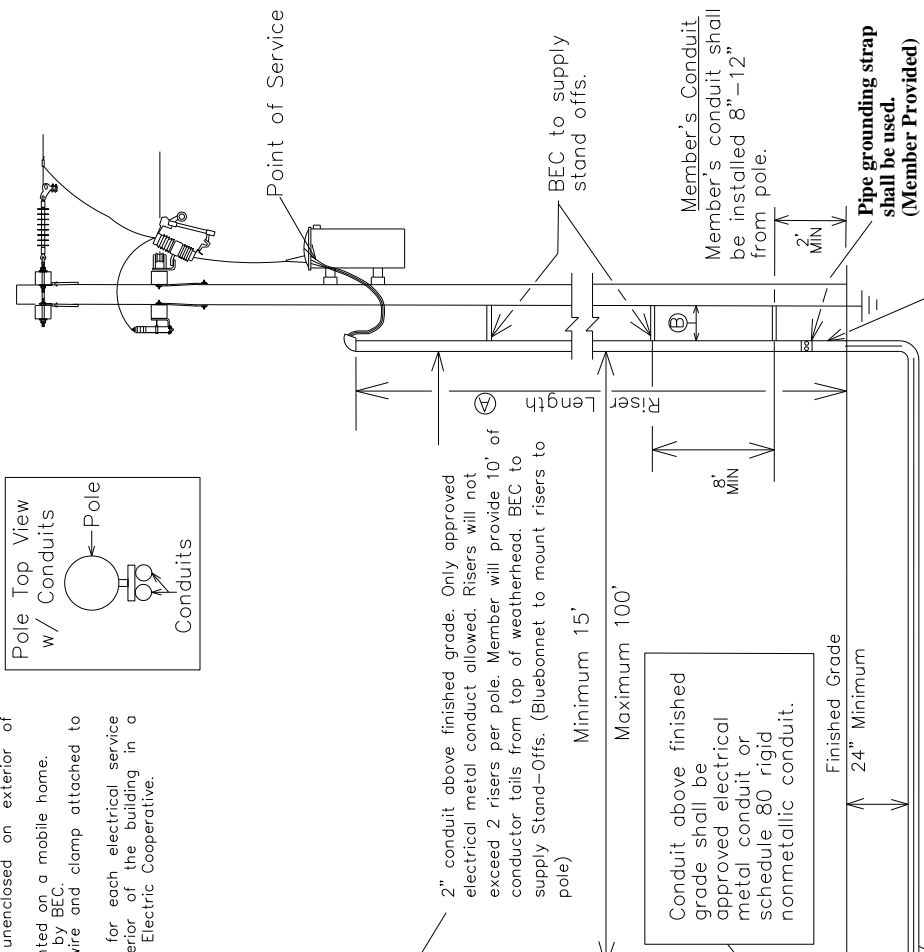
**BUILDING OR RESIDENCE**

Meter socket and weatherproof main disconnect panel with a single main breaker as defined in the NEC.

\* WIRING INSTALLATIONS MUST MEET LOCAL GUIDELINES, IF APPLICABLE, SET FORTH BY CITY, COUNTY, OR OTHER GOVERNING ENTITY IN THE EVENT THESE REQUIREMENTS ARE MORE STRINGENT THAN BLUEBONNET SPECIFICATIONS. \*

8' ground rod to be driven 12" below grade. (Member Provided)

FOR THE MEMBER'S SAFETY, WIRING INSTALLATION AND MATERIAL SHALL CONFORM TO THE REQUIREMENTS OF THE NEC, TDLR AND NESC.



Minimum schedule 40 rigid nonmetallic service conduit below finished grade. No schedule 40 conduit allowed above ground level on source side of main disconnect.

Latest update can be found at [www.bluebonnetelectric.coop](http://www.bluebonnetelectric.coop)

<b>10 OR 30 60-200 AMP METER ON BUILDING OR RACK</b> REVISIONS DATE 03-29-2018 MOVED DISCONNECT TO THE SIDE OF METER 11-19-2019 ADDED SOLID COPPER NOTE 11-04-2021 ADDED MAIN BREAKER NOTE		Drawn By :	CV	Checked By :	MS COMMITTEE	Approved By :	MS COMMITTEE
		Scale :	NONE	Date :	11-04-2021		MS-106

CURRENT CARRYING CAPACITIES AND CONDUIT/NIPPLE SIZE REQUIREMENT OF STANDARD WIRE SIZE. (RHL, RHW, THW, THWN, THHN, AND XHHW) REFER TO NEC FOR OTHER CALCULATIONS.		
WIRE SIZE	COPPER CONDUCTOR BREAKER SIZE	CONDUIT/NIPPLE SIZE
#4	60 AMP	1 1/2" CONDUIT
#4	100 AMP	1 1/2" CONDUIT
#2	125 AMP	1 1/2" CONDUIT
#1	150 AMP	2" CONDUIT
#1/0	200 AMP	2" CONDUIT
ALUMINUM CONDUCTOR		
WIRE SIZE	BREAKER SIZE	CONDUIT/NIPPLE SIZE
#4	60 AMP	1 1/2" CONDUIT
#2	100 AMP	1 1/2" CONDUIT
#1/0	125 AMP	1 1/2" CONDUIT
#1	150 AMP	2" CONDUIT
#1/0	200 AMP	2" CONDUIT

**FOR THREE PHASE APPLICATIONS**

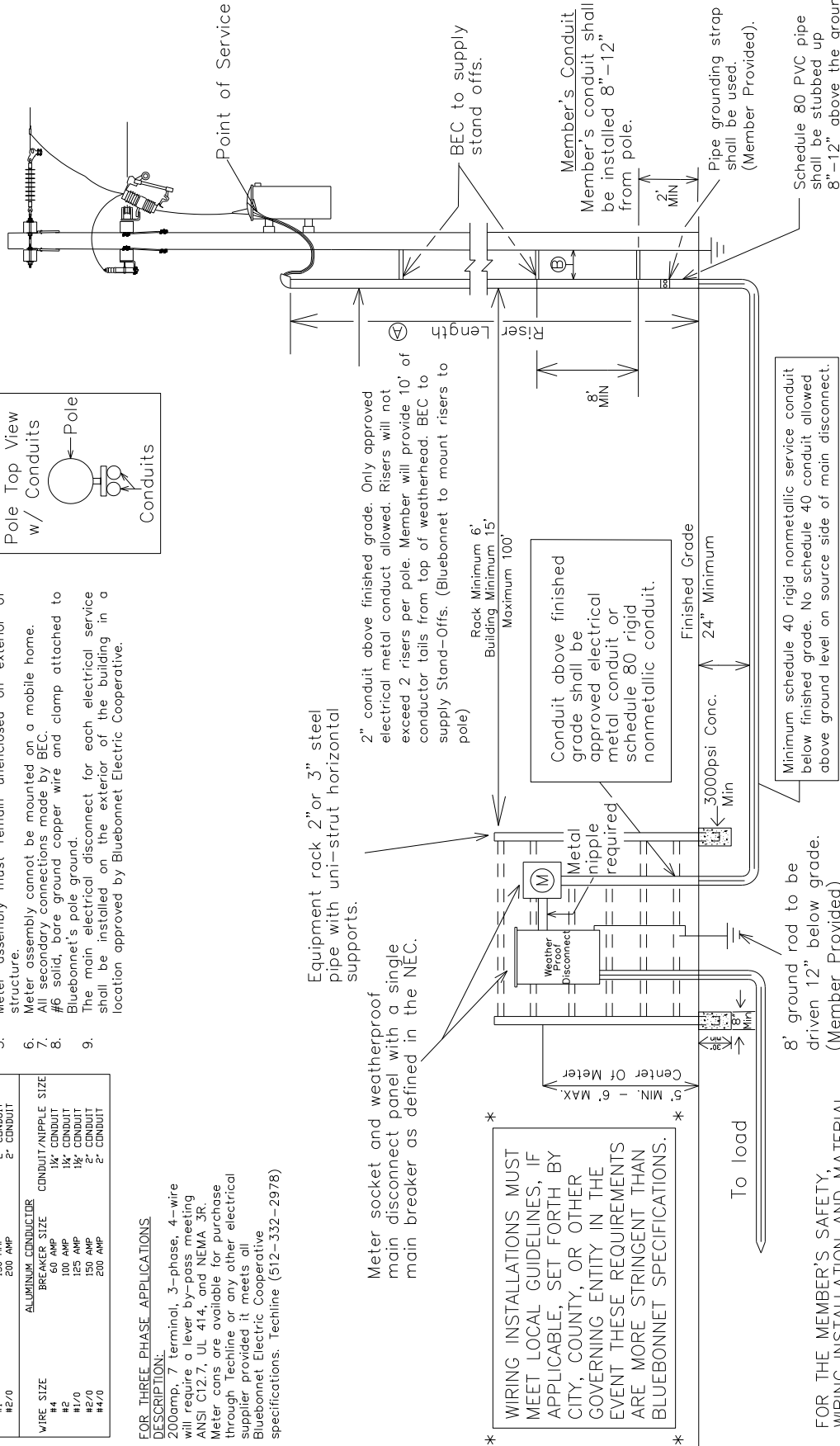
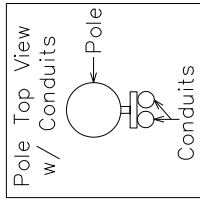
DESCRIPTION:  
200amp, 7 terminal, 3-phase, 4-wire will require a lever by-pass meeting ANSI C12.7, UL 414, and NEMA 3R.  
Meter cans are available for purchase through Techline or any other electrical supplier provided it meets all Bluebonnet Electric Cooperative specifications. Techline (512-332-2978)

**Notes:**

- Weatherproof fittings required.
- Wire sized to total disconnect size.
- Neutral may only be reduced two sizes on residential application. No reduction of the neutral is allowed on commercial application.
- Bluebonnet pole must remain free of structures and private attachments other than meter loop riser assembly.
- Meter assembly must remain unenclosed on exterior of structure.
- Meter cannot be mounted on a mobile home.
- All secondary connections made by BEC.
- #6 solid, bare ground copper wire and clamp attached to Bluebonnet's pole ground.
- The main electrical disconnect for each electrical service shall be installed on the exterior of the building in a location approved by Bluebonnet Electric Cooperative.

**Riser Length:**

- 35' Pole = 20' Riser
- 40' Pole = 24' Riser



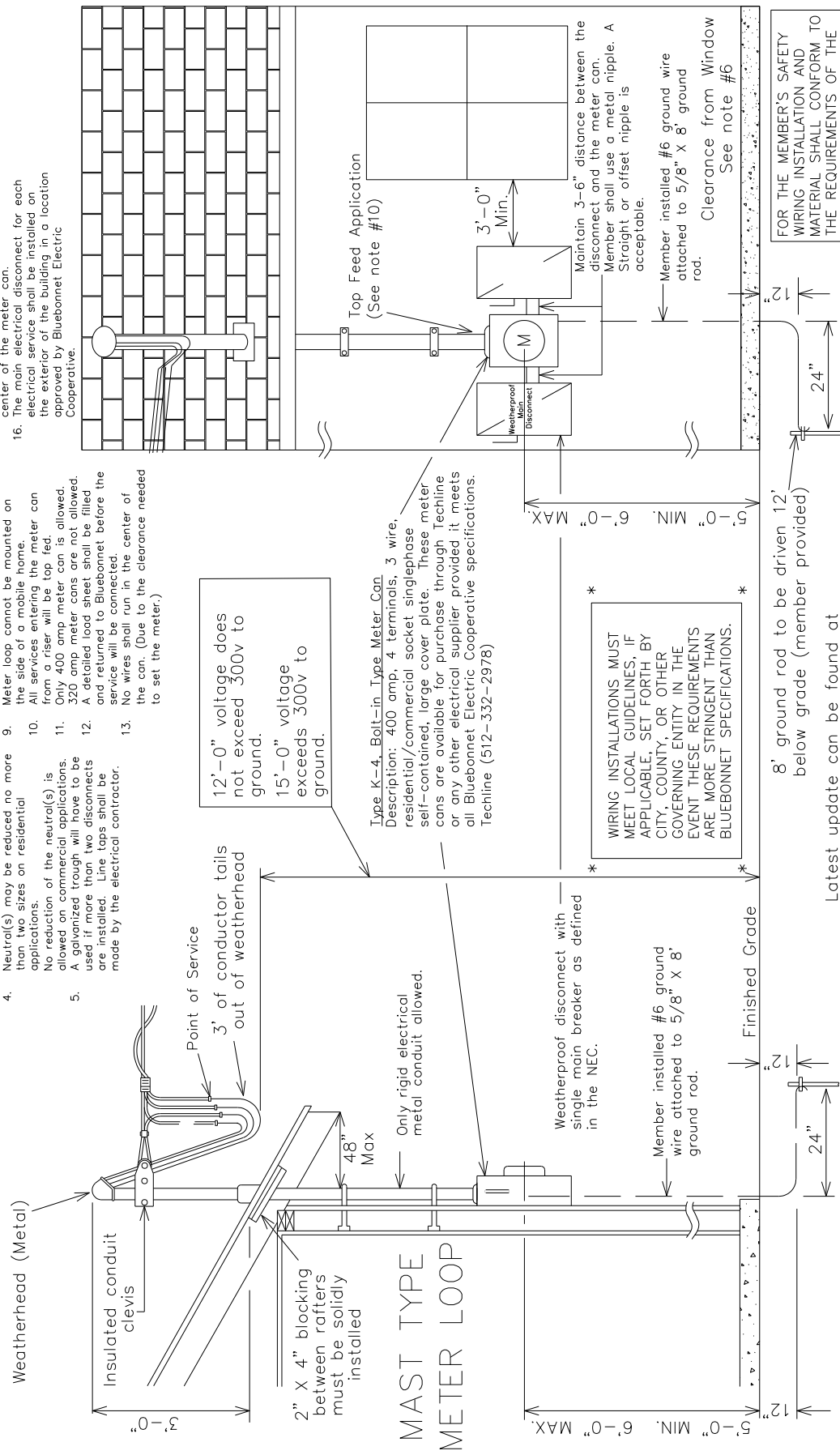
Latest update can be found at  
[www.bluebonnetelectric.coop](http://www.bluebonnetelectric.coop)

	<b>10 OR 30 60-200 AMP METER ON BUILDING OR RACK</b>		Drawn By : DJ	Checked By : Engineering	Approved By : Standards	
	DATE 03-29-2018 11-19-2019 11-04-2021	REVISIONS MOVED DISCONNECT TO THE SIDE OF METER ADDED SOLID COPPER NOTE ADDED MAIN BREAKER NOTE	Scale : NONE	Date : 06-27-2023	MS-106A	
	Approved By : Standards					



**Notes:**

1. Main disconnect panel may not be used as an electrical race way.
2. Any combination of six disconnects totaling no more than 400 amp. REF. NEC, SEC. 230.71.
3. Wire sized to total disconnect sizes.
4. Neutral(s) may be reduced no more than two sizes on residential applications.  
No reduction of the neutral(s) is allowed on commercial applications.  
A galvanized trough will have to be used if more than two disconnects are installed. Line taps shall be made by the electrical contractor.
5. Reference NEC SEC. 230.9 (A) for meter clearances that state three feet from openings.
6. Weatherproof fittings required.
7. Meter loop must remain unenclosed on exterior of structure.
8. Meter loop cannot be mounted on the side of a mobile home.
9. All services entering the meter can from a riser will be top fed.
10. Only 400 amp meter can is allowed.
11. 320 amp meter cans are not allowed.
12. A detailed load sheet shall be filled out and returned to Bluebonnet before the service will be connected.
13. No wires shall run in the center of the can. (Due to the clearance needed to set the meter.)
14. Largest wire to be pulled in to the meter can is 500 MCM Copper.
15. All service wires entering the meter can (Top or Bottom Feed) will be terminated at the closest lugs. No phase conductors shall be run through the center of the meter can.
16. The main electrical disconnect for each electrical service shall be installed on the exterior of the building in a location approved by Bluebonnet Electric Cooperative.



12'-0" voltage does not exceed 300v to ground.  
15'-0" voltage exceeds 300v to ground.

Type K-4 Bolt-in Type Meter Can  
Description: 400 amp, 4 terminals, 3 wire, residential/commercial socket singlephase self-contained, large cover plate. These meter cans are available for purchase through Techline or any other electrical supplier provided it meets all Bluebonnet Electric Cooperative specifications. Techline (512-332-2978)

WIRING INSTALLATIONS MUST MEET LOCAL GUIDELINES. IF APPLICABLE, SET FORTH BY CITY, COUNTY, OR OTHER GOVERNING ENTITY IN THE EVENT THESE REQUIREMENTS ARE MORE STRINGENT THAN BLUEBONNET SPECIFICATIONS.

FOR THE MEMBER'S SAFETY WIRING INSTALLATION AND MATERIAL SHALL CONFORM TO THE REQUIREMENTS OF THE NEC, TDLR AND NESC.

	1Ø 400 AMP SERVICE WITH METER LOOP ON BUILDING - MAST TYPE		Drawn By: BS	Checked By: MS COMMITTEE	Approved By: MS COMMITTEE
	DATE: 11/4/2021	REVISIONS: ADDED MAIN BREAKER NOTE	Scale: NONE	Date: 11-04-2021	MS-107MT

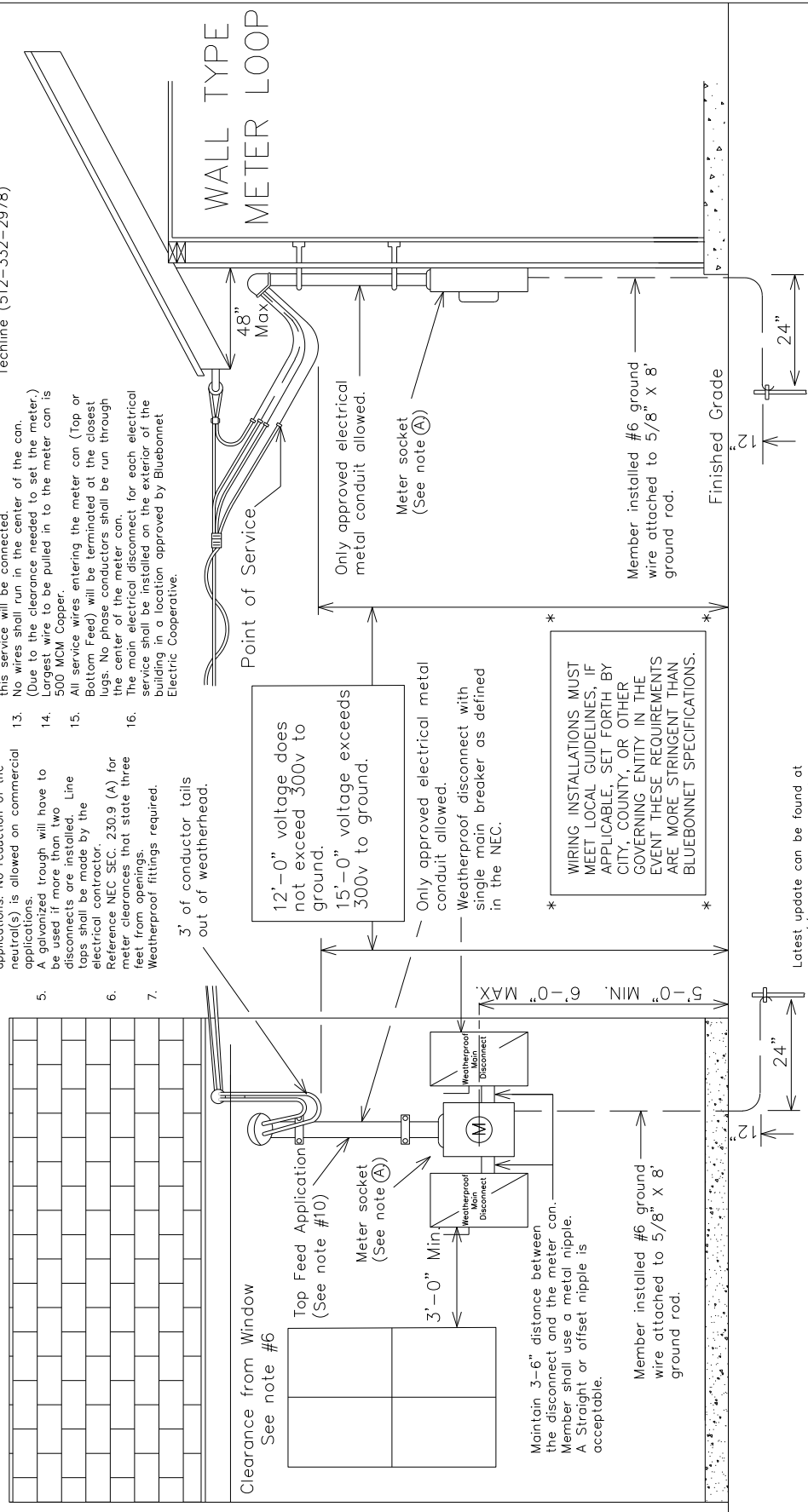
Notes:

FOR THE MEMBER'S SAFETY, WIRING INSTALLATION AND MATERIAL SHALL CONFORM TO THE REQUIREMENTS OF THE NEC, TDLR AND NESC.

1. Main disconnect panel may not be used as an electrical race way.
2. Any combination of six disconnects totaling no more than 400 amp.
3. Wire sized to total disconnect sizes.
4. Neutral(s) may be reduced no more than two sizes on residential applications. No reduction of the neutral(s) is allowed on commercial applications.
5. A galvanized trough will have to be used if more than two disconnects are installed. Line taps shall be made by the electrical contractor.
6. Reference NEC SEC. 230.9 (A) for meter clearances that state three feet from openings.
7. Weatherproof fittings required.

8. Meter loop must remain unenclosed on exterior of structure.
9. Meter loop cannot be mounted on the side of a mobile home.
10. All services entering the meter can from a riser will be top fed.
11. Only 400 amp meter can is allowed. 320 amp meter cans are not allowed.
12. A detailed load sheet shall be filled out and returned to Bluebonnet before this service will be connected.
13. No wires shall run in the center of the can. (Due to the clearance needed to set the meter.)
14. Largest wire to be pulled in to the meter can is 500 MCM Copper.
15. All service wires entering the meter can (Top or Bottom Feed) will be terminated at the closest lugs. No phase conductors shall be run through the center of the meter can.
16. The main electrical disconnect for each electrical service shall be installed on the exterior of the building in a location approved by Bluebonnet Electric Cooperative.

(A) Type K-4 Bolt-in Type Meter Can  
Description: 400 amp, 4 terminals, 3 wire, residential/commercial socket singlephase self-contained, large coverplate. These meter cans are available for purchase through Techline or any other electrical supplier provided it meets all Bluebonnet Electric Cooperative specifications. Techline (512-332-2978)



12'-0" voltage does not exceed 300v to ground.  
15'-0" voltage exceeds 300v to ground.

Only approved electrical metal conduit allowed.  
Weatherproof disconnect with single main breaker as defined in the NEC.

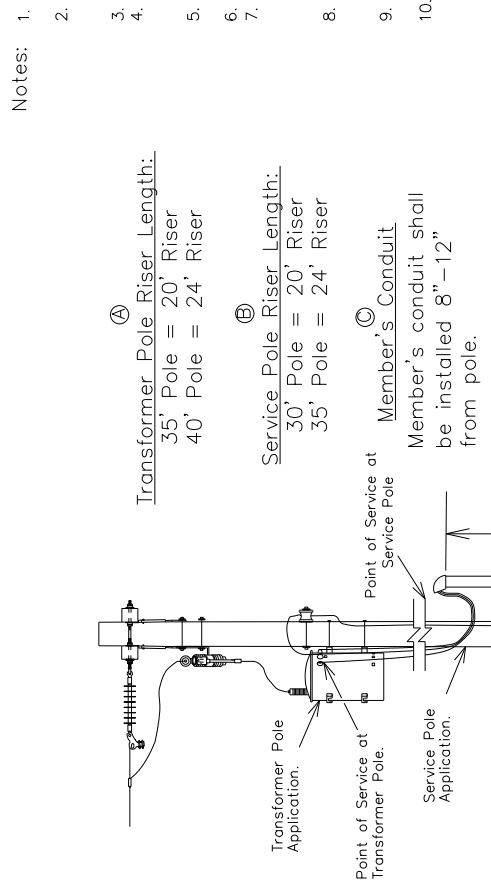
WIRING INSTALLATIONS MUST MEET LOCAL GUIDELINES, IF APPLICABLE. SET FORTH BY CITY, COUNTY, OR OTHER GOVERNING ENTITY IN THE EVENT THESE REQUIREMENTS ARE MORE STRINGENT THAN BLUEBONNET SPECIFICATIONS.



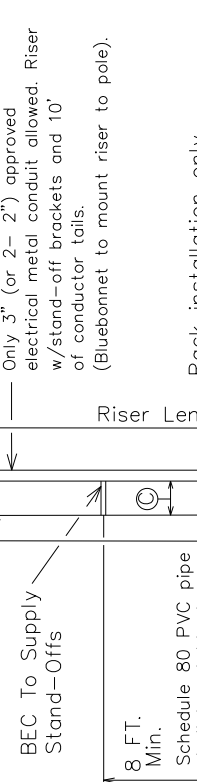
DATE		REVISIONS	
11-04-2021	Added Main Breaker Note		
10 400 AMP SERVICE WITH METER LOOP ON BUILDING - WALL TYPE		Drawn By :	MS COMMITTEE
		Scale :	NONE
		Checked By :	MS COMMITTEE
		Date:	11-04-2021
		Approved By :	MS COMMITTEE
			MS-107WT

**Notes:**

1. Main disconnect panel may not be used as an electrical race way.
2. Line tops shall be made by the electrical contractor if a galvanized wiring trough is used.
3. Weatherproof fittings required.
4. Any combination of six disconnects totaling no more than 400 amp can be used. REF. NEC, SEC. 230.71
5. If more than two disconnects are needed a galvanized trough is required.
6. Wire sized to total disconnect sizes.
7. Neutral(s) may be reduced no more than two sizes on residential applications. No reduction of the neutral(s) is allowed on commercial applications.
8. Bluebonnet pole must remain free of structures and private attachments other than meter loop assembly.
9. #6 solid, bare ground copper wire and clamp attached to Bluebonnet's pole ground Meter assembly must remain unenclosed on exterior of structure.
10. Member shall use a metal nipple. Largest wire to be pulled in to the meter can is 500 MCM Copper.
11. Meter assembly can not be mounted on a mobile home.
12. If secondary service exceeds 1-3" (or 2-2") galvanized metal conduit, BEC will install a primary underground transformer at member's expense.
13. All service wires entering the meter can (Top or Bottom Feed) will be terminated at the closest lugs. No phase conductors shall be run through the center of the meter can.
14. All secondary connections made by BEC.
15. Only 400 amp meter cans are allowed. No 320 amp meter cans are allowed.
16. Member shall use a metal nipple.
17. Largest wire to be pulled in to the meter can is 500 MCM Copper.
18. All service wires entering the meter can (Top or Bottom Feed) will be terminated at the closest lugs. No phase conductors shall be run through the center of the meter can.
19. A detailed load sheet shall be filled out and returned to Bluebonnet before the service will be connected.
20. Maintain 3"-6" distance between the disconnect and the meter can. Member shall use a metal nipple. A straight or offset nipple is acceptable.
21. The main electrical disconnect for each electrical service shall be installed on the exterior of the building in a location approved by Bluebonnet Electric Cooperative.



**Type K-4, Bolt-in type meter can:**  
 Description: 400 amp, 4 terminals, 3-wire, residential/commercial socket single, phase self-contained, large cover plate. These meter cans are available for purchase through Techline or any other electrical supplier provided it meets all Bluebonnet Electric Cooperative specifications. Techline's phone number: Red Rock (512-332-2978)



\* WIRING INSTALLATIONS MUST MEET LOCAL GUIDELINES, IF APPLICABLE, SET FORTH BY CITY, COUNTY, OR OTHER GOVERNING ENTITY IN THE EVENT THESE REQUIREMENTS ARE MORE STRINGENT THAN BLUEBONNET SPECIFICATIONS. \*

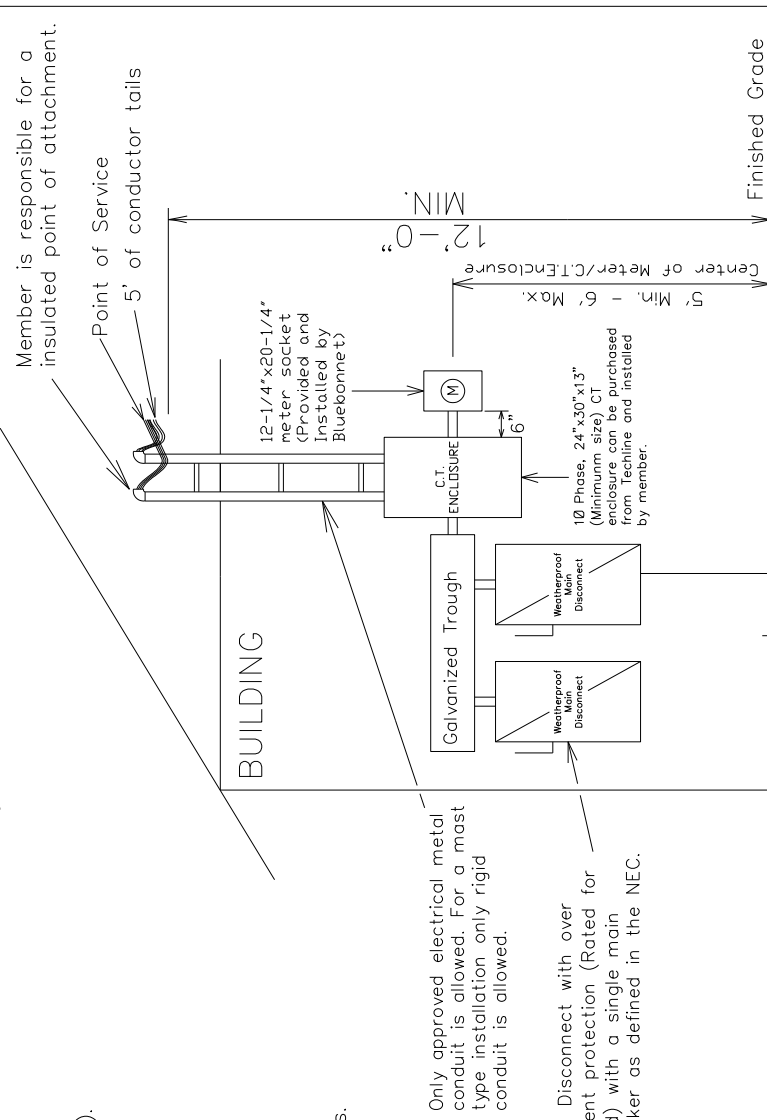
FOR THE MEMBER'S SAFETY, WIRING INSTALLATION AND MATERIAL SHALL CONFORM TO THE REQUIREMENTS OF THE NEC, TDLR AND NESC.

		Drawn By : RG	Checked By : MS COMMITTEE	Approved By : MS COMMITTEE
DATE 11-19-2019	REVISIONS Added Solid Copper Note 11-04-2021	Scale : NONE	Date : 11-04-2021	MS-108

**Notes:**

1. When more than (1) disconnect is used, a galvanized trough system shall be installed.
2. Line taps shall be made in the galvanized wire trough by the electrical contractor. (See Article 310.10 (H) Per NEC).
3. (2) disconnects can be substituted with (1) disconnect. All disconnects shall have over current protection installed.
4. No more than (2) risers or (2) conductors per phase shall be allowed.
5. Wire shall be sized to total disconnect sizes.
6. Neutral(s) may be reduced no more than two sizes on residential applications. No reduction of the neutral(s) is allowed on commercial application.
7. CT Cans can be purchased from Techline (512-332-2978).
8. Bluebonnet to install meter can, meter and current transformers unless there will be multiple metering points from the trough. Contact the support service department on this type of installation.
9. Maintain 3"-6" distance between the disconnect and the meter can. Member shall use a metal nipple. A straight or offset nipple is acceptable.
10. #6 solid, bare ground copper wire and clamp attached to Bluebonnet's pole ground
11. Total disconnect's will not exceed a total of 800 amps.

12. The electrical contractor will notify Bluebonnet 72 hours in advance to schedule Bluebonnet personnel to deliver the CT's before the service wire is pulled. The electrician shall install them on the rack with the correct polarity before the conductor is brought thru the 30"x42"x16" (minimum size) CT enclosure. Call 800-842-7708 to schedule a connect.
13. The main electrical disconnect for each electrical service shall be installed on the exterior of the building in a location approved by Bluebonnet Electric Cooperative.



Only approved electrical metal conduit is allowed. For a mast type installation only rigid conduit is allowed.

Main Disconnect with over current protection (Rated for Load) with a single main breaker as defined in the NEC.

Must have adequate clearance over commercial driveway, etc. See NEC for details.

\* WIRING INSTALLATIONS MUST MEET LOCAL GUIDELINES, IF APPLICABLE, SET FORTH BY CITY, COUNTY, OR OTHER GOVERNING ENTITY IN THE EVENT THESE REQUIREMENTS ARE MORE STRINGENT THAN BLUEBONNET SPECIFICATIONS. \*

FOR THE MEMBER'S SAFETY, WIRING INSTALLATION AND MATERIAL SHALL CONFORM TO THE REQUIREMENTS OF THE NEC, TDLR AND NESC.



1 PHASE >400-600 AMP SERVICE ON BUILDING WITH CT METERING ON BUILDING OR RACK		Drawn By :	MS COMMITTEE	Checked By :	MS COMMITTEE	Approved By :	MS COMMITTEE
DATE	REVISIONS	Scale :		Date :		MS-112B1	
11-19-2019	Added #6 copper note.	NONE		11-04-2021			
11-04-2021	Added Main Breaker Note						

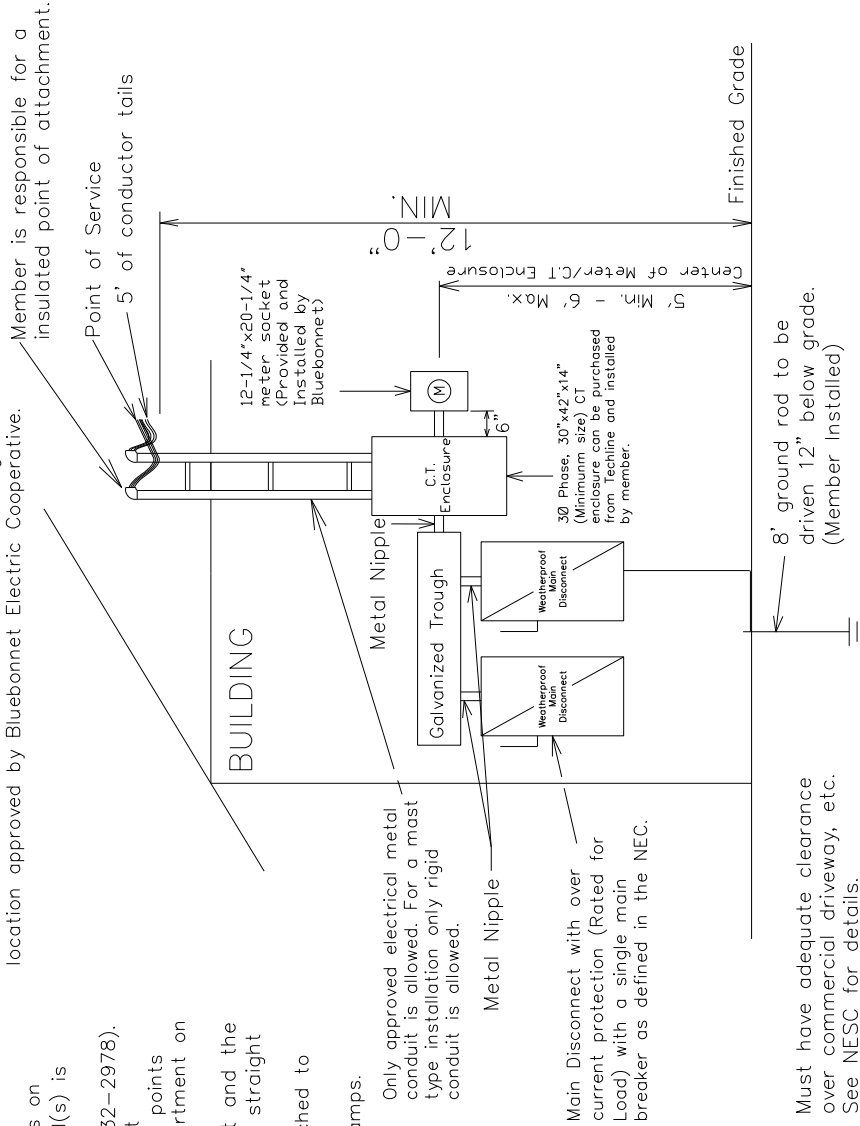
Notes:

1. When more than (1) disconnect is used, a galvanized trough system shall be installed.
2. Line taps shall be made in the galvanized wire trough by the electrical contractor. (See Article 310.10 (H) Per NEC).
3. (2) disconnects can be substituted with (1) disconnect. All disconnects shall have over current protection installed.
4. No more than (2) risers or (2) conductors per phase shall be allowed.
5. Wire shall be sized to total disconnect sizes.
6. Neutral(s) may be reduced no more than two sizes on residential applications. No reduction of the neutral(s) is allowed on commercial application.
7. CT Cans can be purchased from Techline (512-332-2978).
8. Bluebonnet to install meter can, meter and current transformers unless there will be multiple metering points from the trough. Contact the support service department on this type of installation.
9. Maintain 3"-6" distance between the disconnect and the meter can. Member shall use a metal nipple. A straight or offset nipple is acceptable.
10. #6 solid, bare ground copper wire and clamp attached to Bluebonnet's pole ground.
11. Total disconnect's will not exceed a total of 800 amps.

\* WIRING INSTALLATIONS MUST MEET LOCAL GUIDELINES, IF APPLICABLE, SET FORTH BY CITY, COUNTY, OR OTHER GOVERNING ENTITY IN THE EVENT THESE REQUIREMENTS ARE MORE STRINGENT THAN BLUEBONNET SPECIFICATIONS. \*

FOR THE MEMBER'S SAFETY, WIRING INSTALLATION AND MATERIAL SHALL CONFORM TO THE REQUIREMENTS OF THE NEC, TDLR AND NESC.

12. The electrical contractor will notify Bluebonnet 72 hours in advance to schedule Bluebonnet personnel to deliver the CT's before the service wire is pulled. The electrician shall install them on the rack with the correct polarity before the conductor is brought thru the 30"x42"x16" (minimum size) CT enclosure. Call 800-842-7708 to schedule a connect. The main electrical disconnect for each electrical service shall be installed on the exterior of the building in a location approved by Bluebonnet Electric Cooperative.



8' ground rod to be driven 12" below grade. (Member Installed)

Latest update can be found at <http://www.bluebonnetelectric.coop>



3 PHASE >200-600 AMP SERVICE ON BUILDING WITH CT METERING ON BUILDING OR RACK REVISIONS		Drawn By :	Checked By :	Approved By :
DATE		RG	MS COMMITTEE	MS COMMITTEE
11-19-2019	Added solid copper note.			
04-16-2021	Removed Single phase from CT enclosure note.			
11-04-2021	Added Main Breaker Note	NONE	Date : 11-4-2021	MS-112B3

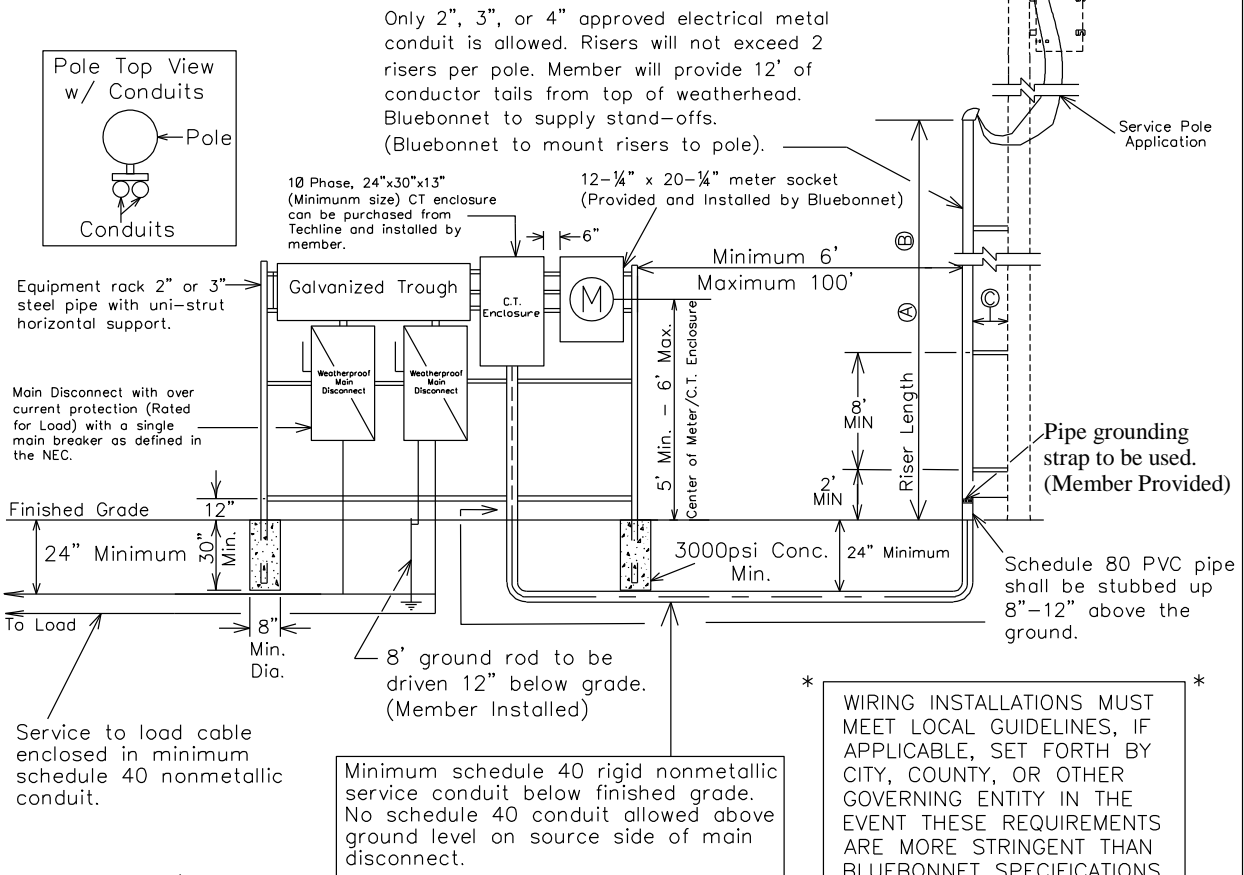
**Notes:**

1. Line tops shall be made in the galvanized wire trough by the electrical contractor.
2. When more than (1) disconnect is used, a galvanized trough system shall be installed.
3. Weatherproof fittings are required.
4. Two (2) disconnects could be substituted with (1) disconnect. All disconnects shall have over current protection installed.
5. No more than two (2) risers or two (2) conductors per phase shall be allowed.
6. Wire shall be sized to total disconnect sizes.
7. Neutral(s) may be reduced no more than two sizes on residential applications. No reduction of the neutral(s) is allowed on commercial application.
8. Bluebonnet pole must remain free of structures and private attachments other than service riser assembly.
9. All secondary connections on pole will be made by Bluebonnet.
10. The electrical contractor will notify Bluebonnet 72 hours in advance to schedule Bluebonnet personnel to deliver the CT's before the service wire is pulled. The electrician shall install them on the rack with the correct polarity before the conductor is brought thru the 30"x42x16" (minimum size) CT enclosure. Call 800-842-7708 to schedule a connect.
11. CT enclosures can be purchased from Techline (512-332-2978).
12. Maintain 3"-6" distance between the disconnect and the meter can. Member shall use a metal nipple. A straight or offset nipple is acceptable.
13. #6 solid, bare ground copper wire and clamp attached to Bluebonnet's pole ground.
14. The main electrical disconnect for each electrical service shall be installed on the exterior of the building in a location approved by Bluebonnet Electric Cooperative.

Ⓐ **Transformer Pole Riser Length:**  
 35' Pole = 20' Riser  
 40' Pole = 24' Riser

Ⓑ **Service Pole Riser Length:**  
 30' Pole = 20' Riser  
 35' Pole = 24' Riser

Ⓒ **Member's Conduit**  
 Member's conduit shall be installed 8"-12" from pole



FOR THE MEMBER'S SAFETY, WIRING INSTALLATION AND MATERIAL SHALL CONFORM TO THE REQUIREMENTS OF THE NEC, TDLR AND NESC.

Latest update can be found at <http://www.bluebonnetelectric.coop>

1 PHASE >400-800 AMP SERVICE WITH CT METERING ON RACK				
DATE	REVISIONS	Drawn By :	Checked By :	Approved By :
11-28-2017	Bold lettering of schedule 80 PVC	RG	MS COMMITTEE	MS COMMITTEE
11-19-2019	Added Solid Copper Note.			
04-16-2021	Changed the size of the CT Meter Can requirements.	Scale :	DATE:	
11-04-2021	Added Main Breaker Note	NONE	11-04-2021	MS-113B1

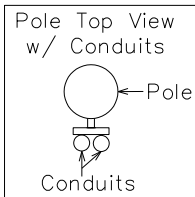
Notes:

- Line taps shall be made in the galvanized wire trough by the electrical contractor.
- When more than (1) disconnect is used, a galvanized rough system shall be installed.
- Weatherproof fittings are required.
- Two (2) disconnects could be substituted with (1) disconnect. All disconnects shall have over current protection installed.
- No more than two (2) risers or two (2) conductors per phase shall be allowed.
- Wire shall be sized to total disconnect sizes.
- Neutral(s) may be reduced no more than two sizes on residential applications. No reduction of the neutral(s) is allowed on commercial application.
- Bluebonnet pole must remain free of structures and private attachments other than service riser assembly.
- All secondary connections on pole will be made by Bluebonnet.
- The electrical contractor will notify Bluebonnet 72 hours in advance to schedule Bluebonnet personnel to deliver the CT's before the service wire is pulled. The electrician shall install them on the rack with the correct polarity before the conductor is brought thru the 30"x42" (minimum size) CT enclosure. Call 800-842-7708 to schedule a connect.
- CT enclosures can be purchased from Techline (512-332-2978).
- Maintain 3"-6" distance between the disconnect and the meter can. Member shall use a metal nipple. A straight or offset nipple is acceptable.
- #6 solid, bare ground copper wire and clamp attached to Bluebonnet's pole ground.
- The main electrical disconnect for each electrical service shall be installed on the exterior of the building in a location approved by Bluebonnet Electric Cooperative.

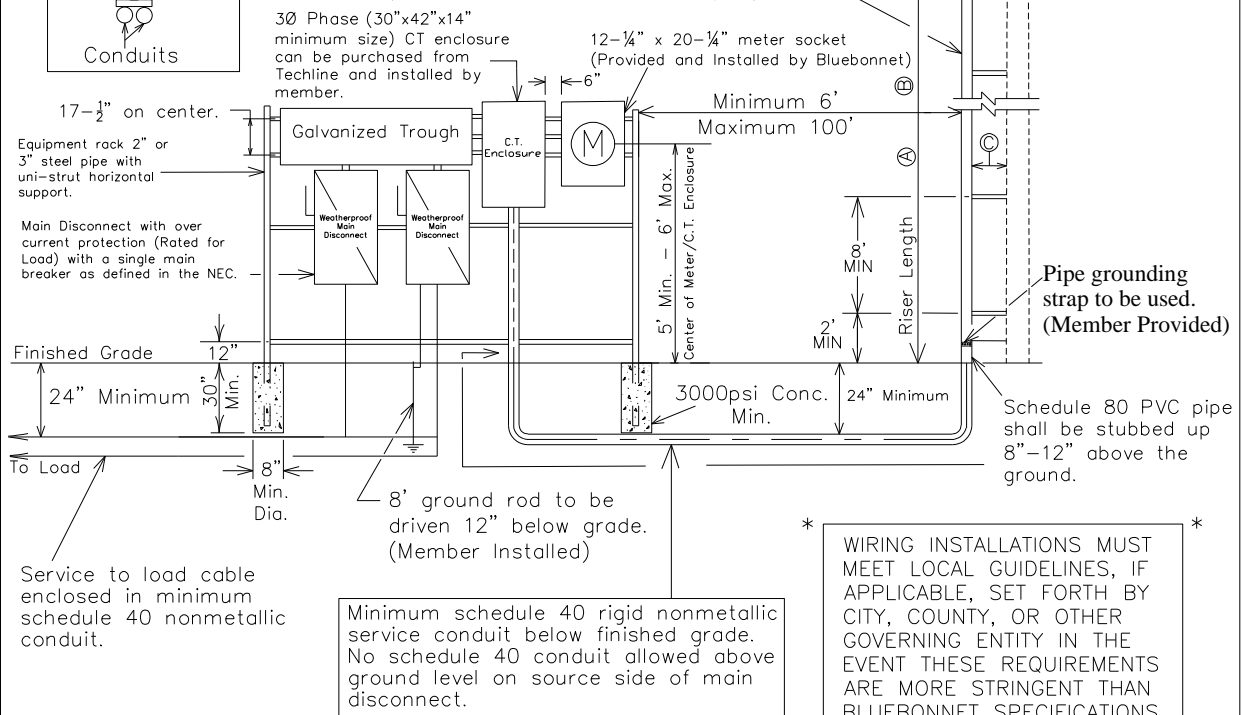
Ⓐ  
Transformer Pole Riser Length:  
 35' Pole = 20' Riser  
 40' Pole = 24' Riser

Ⓑ<sup>ⓑ</sup>  
Service Pole Riser Length:  
 30' Pole = 20' Riser  
 35' Pole = 24' Riser

Ⓒ<sup>ⓒ</sup>  
Member's Conduit  
 Member's conduit shall be installed 8"-12" from pole



Only 2", 3", or 4" approved electrical metal conduit is allowed. Risers will not exceed 2 risers per pole. Member will provide 12' of conductor tails from top of weatherhead. Bluebonnet to supply stand-offs. (Bluebonnet to mount risers to pole).



\* WIRING INSTALLATIONS MUST MEET LOCAL GUIDELINES, IF APPLICABLE, SET FORTH BY CITY, COUNTY, OR OTHER GOVERNING ENTITY IN THE EVENT THESE REQUIREMENTS ARE MORE STRINGENT THAN BLUEBONNET SPECIFICATIONS. \*

FOR THE MEMBER'S SAFETY, WIRING INSTALLATION AND MATERIAL SHALL CONFORM TO THE REQUIREMENTS OF THE NEC, TDLR AND NESC.

Latest update can be found at <http://www.bluebonnetelectric.coop/myHome/electricServices/meterLoop.aspx>

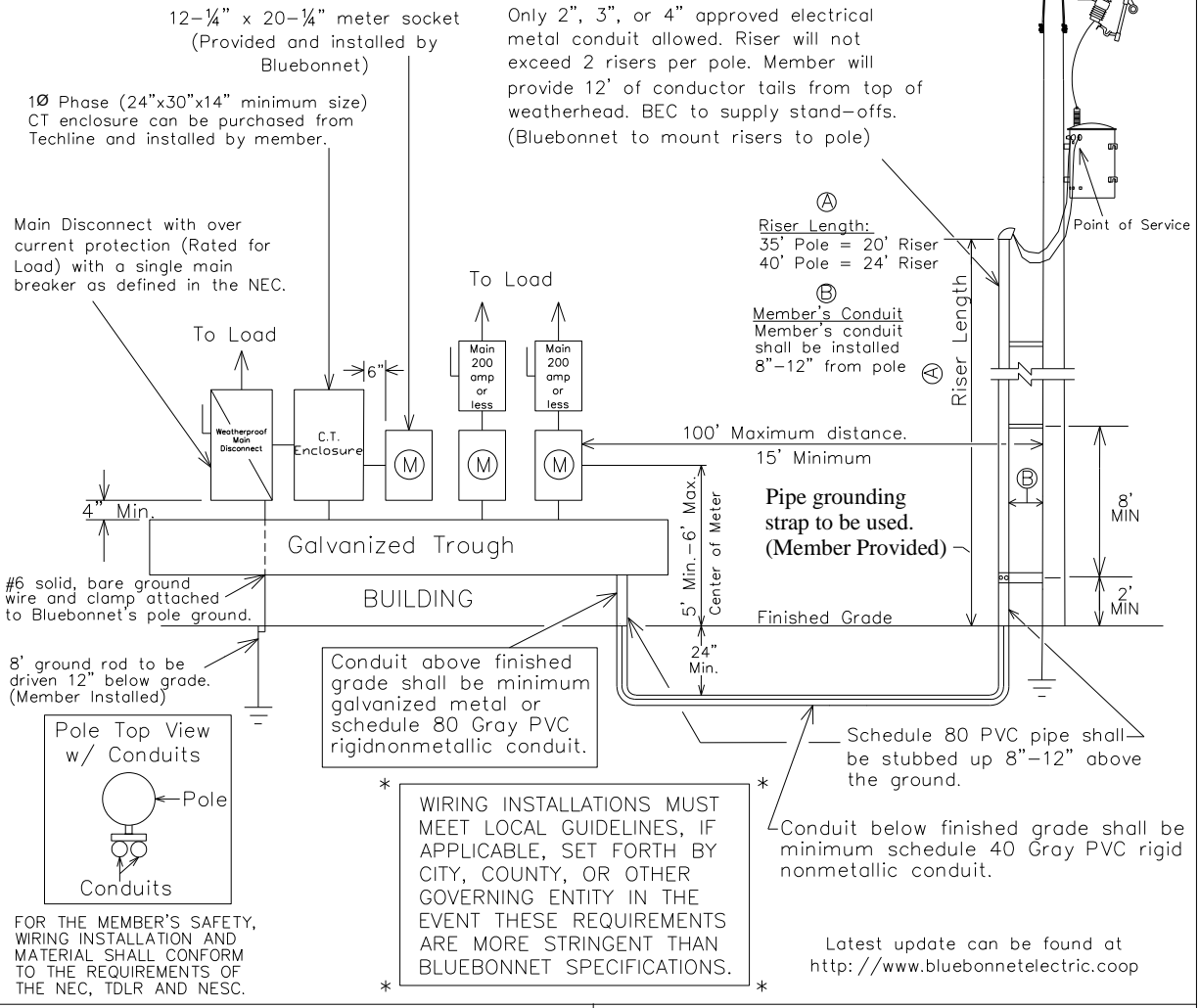
3 PHASE >200-800 AMP SERVICE WITH CT METERING ON RACK



DATE	REVISIONS	Drawn By :	Checked By :	Approved By :
11-28-2017	Bold lettering of schedule 80 PVC	RG	MS COMMITTEE	MS COMMITTEE
11-19-2019	Added Solid Copper Note.			
04-16-2021	Removed Single Phase from the CT Enclosure Note.			
11-04-2021	Added Main Breaker Note			
		Scale :	DATE:	
		NONE	11-04-2021	MS-113B3

**Notes:**

1. Line taps shall be made in the galvanized wiring trough by the electrical contractor.
2. Weatherproof fittings Required.
3. (2) disconnects could be substituted with (1) disconnect. All disconnects shall have over current protection installed.
4. No more than (2) risers or (2) conductors per phase shall be allowed.
5. Wire shall be sized to total name plate disconnect sizes.
6. Neutral(s) may be reduced no more than two sizes on residential application. No reduction of the neutral(s) is allowed on commercial application.
7. The electrical contractor will notify Bluebonnet 72 hours in advance to schedule Bluebonnet personnel to deliver the CT's before the service wire is pulled. The electrician shall install them on the rack with the correct polarity before the conductor is brought thru the 30"x42" (minimum size) CT enclosure. Call 800-842-7708 to schedule a connect.
8. More than (6) main disconnects require a properly sized main disconnect ahead of the galvanized trough.
9. Bluebonnet pole must remain free of structures and private attachments other than meter loop riser assembly.
10. Meter assembly must remain unenclosed on exterior of structure.
11. Type K-4, Bolt-in type meter can: Description: 400 amp, 4 terminals, 3-wire, residential/commercial socket single phase self-contained, large cover plate. These meter cans are available for purchase through Techline (512-332-2978) or any other electrical supplier provided it meets all Bluebonnet Electric Cooperative specifications.
12. Maintain 3"-6" distance from the disconnect and the meter can. Member shall use a metal nipple. A straight or offset nipple is acceptable.
13. The main electrical disconnect for each electrical service shall be installed on the exterior of the building in a location approved by Bluebonnet Electric Cooperative.



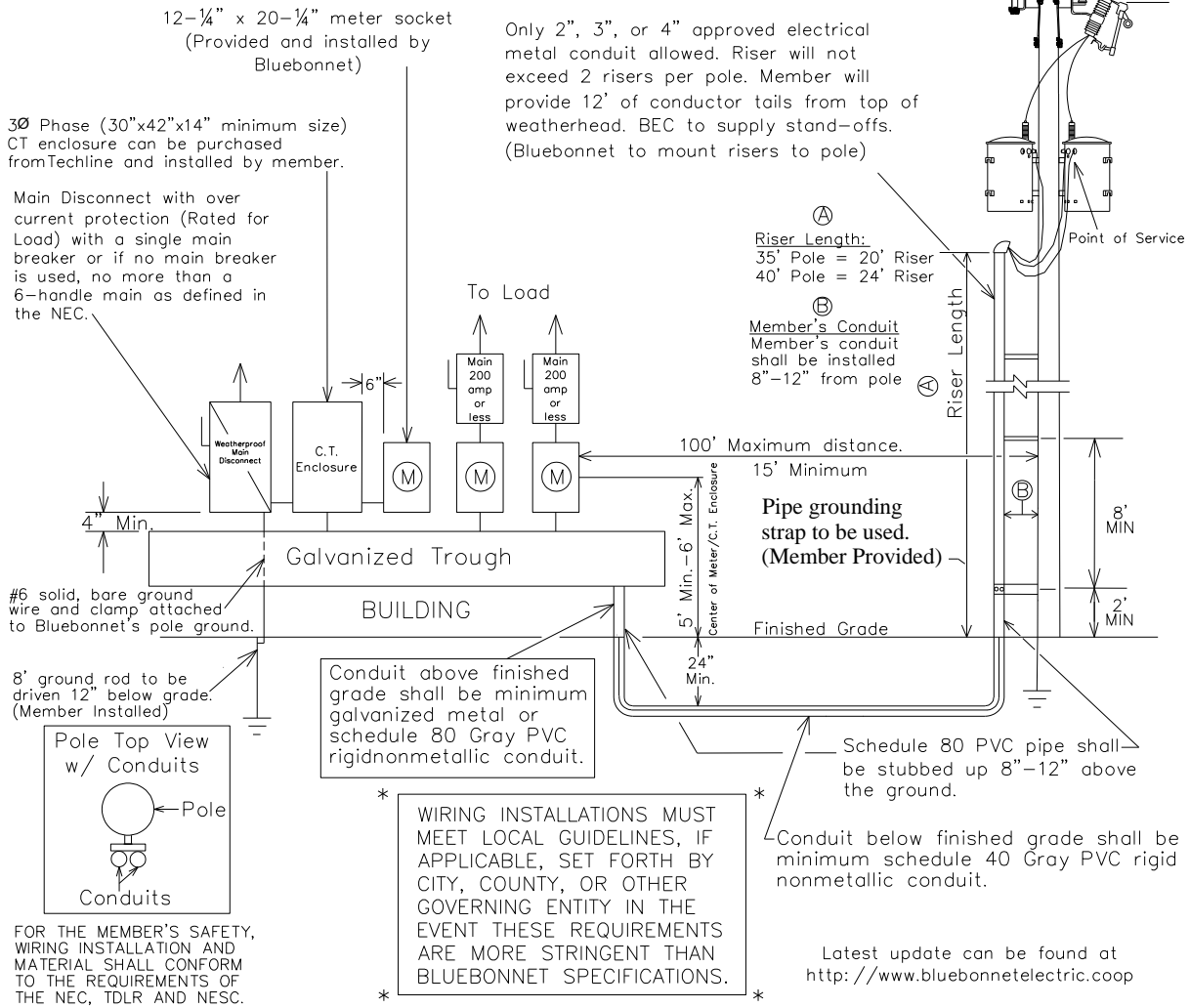
1Ø 400-800 TOTAL AMPS WITH MULTIPLE METERING POINTS ON BUILDING. (RISER TYPE)

DATE	REVISIONS	Drawn By :	Checked By :	Approved By :
11-28-2017	Bold lettering of Pipe grounding Strap	RG	MS COMMITTEE	MS COMMITTEE
11-19-2019	Added Solid Copper Note.			
04-19-2021	Changed the size of the CT Meter Can requirements.			
11-04-2021	Added Main Breaker Note			
		Scale :	Date :	
		NONE	11-04-2021	MS-114A1



**Notes:**

1. Line taps shall be made in the galvanized wiring trough by the electrical contractor.
2. Weatherproof fittings Required.
3. (2) disconnects could be substituted with (1) disconnect. All disconnects shall have over current protection installed.
4. No more than (2) risers or (2) conductors per phase shall be allowed.
5. Wire shall be sized to total name plate disconnect sizes.
6. Neutral(s) may be reduced no more than two sizes on residential application. No reduction of the neutral(s) is allowed on commercial application.
7. The electrical contractor will notify Bluebonnet 72 hours in advance to schedule Bluebonnet personnel to deliver the CT's before the service wire is pulled. The electrician shall install them on the rack with the correct polarity before the conductor is brought thru the 30"x42" (minimum size) CT enclosure. Call 800-842-7708 to schedule a connect.
8. More than (6) main disconnects require a properly sized main disconnect ahead of the galvanized trough.
9. Bluebonnet pole must remain free of structures and private attachments other than meter loop riser assembly.
10. Meter assembly must remain unenclosed on exterior of structure.
11. Type K-4, Bolt-in type meter can: Description: 400 amp, 4 terminals, 3-wire, residential/commercial socket single phase self-contained, large cover plate. These meter cans are available for purchase through Techline (512-332-2978) or any other electrical supplier provided it meets all Bluebonnet Electric Cooperative specifications.
12. Maintain 3"-6" distance from the disconnect and the meter can. Member shall use a metal nipple. A straight or offset nipple is acceptable.
13. No more than one disconnect per enclosure.
14. The main electrical disconnect for each electrical service shall be installed on the exterior of the building in a location approved by Bluebonnet Electric Cooperative.

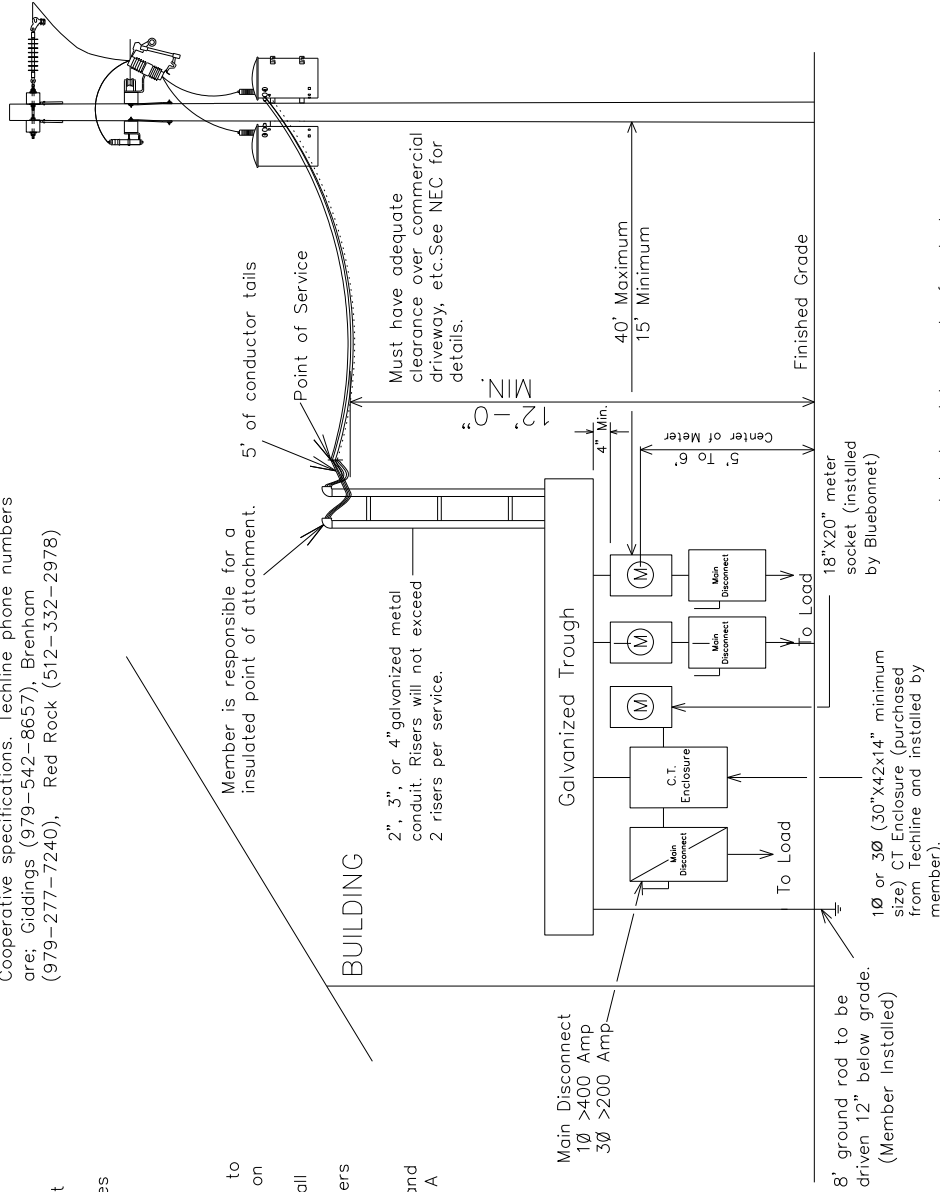


3 PHASE 200-800 TOTAL AMPS WITH MULTIPLE METERING POINTS ON BUILDING. (RISER TYPE)			
DATE	REVISIONS	Drawn By :	Checked By :
11-28-2017	Bold lettering of pipe grounding strap	RG	MS COMMITTEE
11-19-2019	Added Solid Copper Note.		MS COMMITTEE
04-19-2021	Removed Single Phase from the CT Enclosure Note.	Scale :	Date :
11-04-2021	Added Main Breaker Note	NONE	11-04-2021
			MS-114B3

Notes:

- When more than (1) disconnect is used, a galvanized trough system shall be installed.
- Line taps shall be made in the galvanized wire trough by the electrical contractor.
- (2) disconnects can be substituted with (1) fused disconnect.
- No more than (2) risers or (2) conductors per phase shall be allowed.
- Wire shall be sized to total name plate disconnect sizes.
- Neutral(s) may be reduced no more than two sizes on residential applications. No reduction of the neutral(s) is allowed on commercial application.
- Total disconnect's will not exceed a total of 800 amps.
- The electrical contractor will notify Bluebonnet 72 hours in advance to schedule Bluebonnet personal to deliver the CT's. The electrician shall install them on the rack with the correct polarity before the conductor is brought thru the 30"x42" CT can. Call 800-842-7708 to schedule a connect.
- Gutter can be mounted on top or bottom of meters as long as the center of the meter distance in 5'-6".
- Maintain 3"-6" distance between the disconnect and the meter can. Member shall use a metal nipple. A straight or offset nipple is acceptable.


- Type K-4, Bolt-in type meter can:  
Description: 400 amp, 4 terminals, 3-wire, residential/commercial socket singlephase self-contained, large coverplate. These meter cans are available for purchase through Techline or any other electrical supplier provided it meets all Bluebonnet Electric Cooperative specifications. Techline phone numbers are; Giddings (979-542-8657), Brenham (979-277-7240), Red Rock (512-332-2978)



\* WIRING INSTALLATIONS MUST MEET LOCAL GUIDELINES, IF APPLICABLE, SET FORTH BY CITY, COUNTY, OR OTHER GOVERNING ENTITY IN THE EVENT THESE REQUIREMENTS ARE MORE STRINGENT THAN BLUEBONNET SPECIFICATIONS. \*

FOR THE MEMBER'S SAFETY, WIRING INSTALLATIONS SHALL CONFORM TO THE REQUIREMENTS OF THE NEC, TDLR AND NESC.

Latest update can be found at <http://www.bluebonnetelectric.coop/myHome/electricServices/meterLoop.aspx>

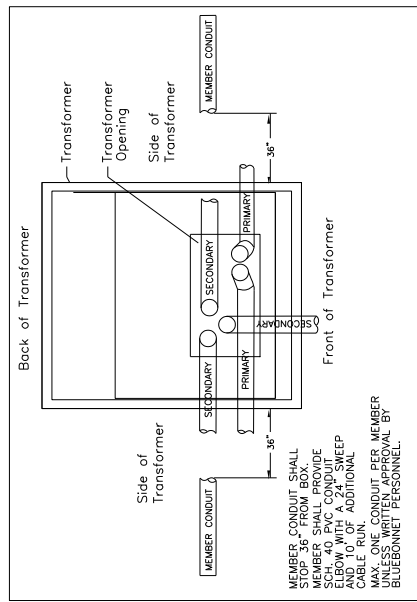
		Drawn By : RG	Checked By : MS COMMITTEE	Approved By : TE
		DATE 01-29-2017	Scale : NONE	Date : 11/29/2017
REVISIONS 01-29-2017 Changed the dimension on the CT Enclosure. 11/29/2017 Changed Wording 5' To 6'.				
1Ø 400-800 TOTAL AMP OR 3Ø 200-800 TOTAL AMP WITH MULTIPLE METERING POINTS ON BUILDING. SERVICE TYPE				

COPPER CONDUCTOR	
WIRE SIZE	BREAKER SIZE
#6	60 AMP
#4	100 AMP
#2	125 AMP
#1	150 AMP
#2/0	200 AMP

ALUMINUM CONDUCTOR	
WIRE SIZE	BREAKER SIZE
#4	60 AMP
#2	100 AMP
#1/0	125 AMP
#2/0	150 AMP
#4/0	200 AMP

Single Phase Transformer Layout



MEMBER CONDUIT SHALL STOP 36" FROM BOX. MEMBER SHALL PROVIDE ELBOW WITH 90° SWEEP AND 10" OF ADDITIONAL CABLE RUN. CONDUIT PER MEMBER UNLESS WRITTEN APPROVAL BY BLUEBONNET PERSONNEL.

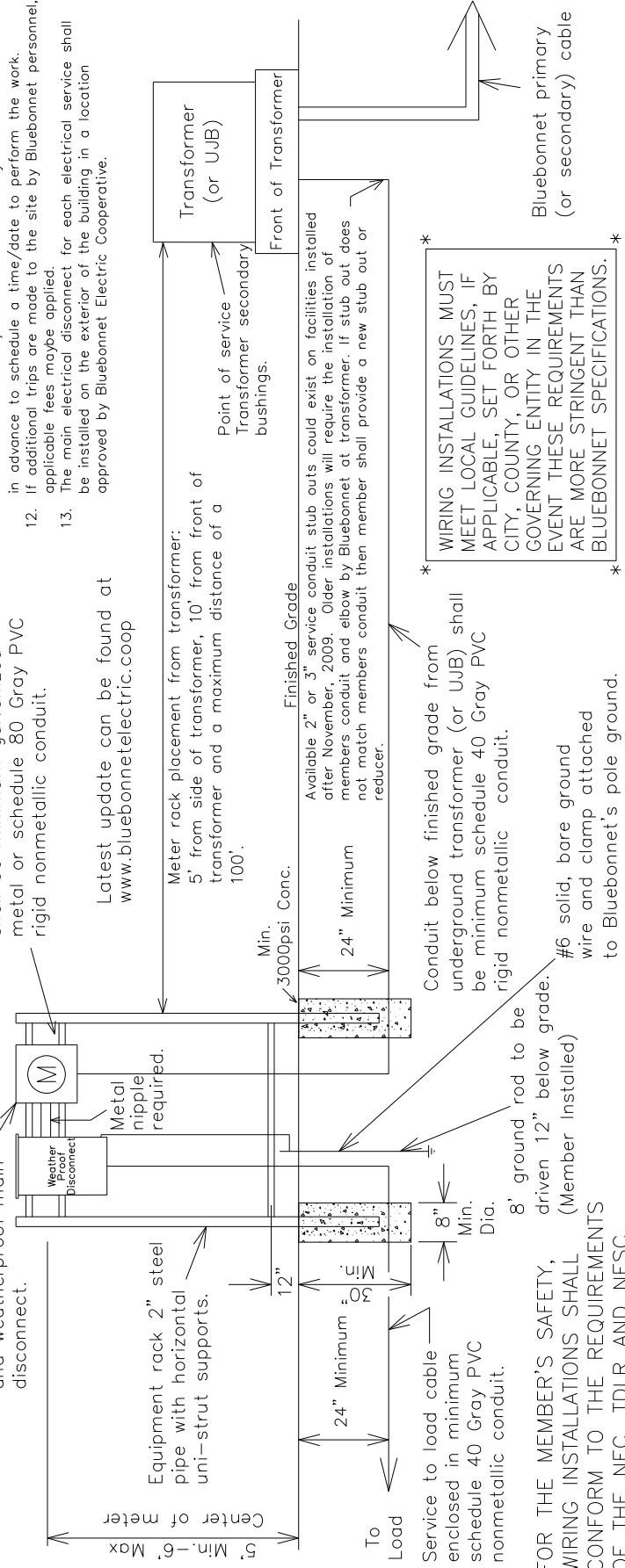
- Notes:**
- Weatherproof fittings required.
  - For all URD jobs, electricians shall call TEXAS811 for locates before digging to Bluebonnet equipment. No private utilities will be located.
  - Shall install an additional 10' of wire for termination.
  - Main disconnect shall have a single main breaker as defined in the NEC.
  - Neutral may be reduced no more than two sizes on residential application. No reduction of the neutral is allowed on commercial application.
  - Metering point must remain unenclosed on exterior of structure.
  - Metering point can not be mounted on the side of a mobile home.
  - All connections inside pad mounted transformer and UJB's will be made by Bluebonnet.
  - THREE PHASE APPLICATIONS ONLY DESCRIPTION:**  
200amp, 7 terminal, 3-phase, 4-wire will require a lever by-pass meeting ANSI C12.7, UL 414, and NEMA 3R. Meter cans are available for purchase through Techline or any other electrical supplier provided it meets all Bluebonnet Electric Cooperative specifications. Giddings(979-542-8657), Brenham (979-277-7240), Red Rock (512-332-2978)
  - Member must contact Bluebonnet to determine where the secondary conduit is to be run to the transformer. Conduit to be installed 36" to the side of transformer. Call 800-842-7708 to schedule an appointment.
  - Member/Electrician shall coordinate with Bluebonnet personal to install all conduit and the pulling of the secondary wire to the transformer. Member/Electrician shall notify Bluebonnet 48 hours in advance to schedule a time/date to perform the work.
  - If additional trips are made to the site by Bluebonnet personnel, applicable fees may be applied.
  - The main electrical disconnect for each electrical service shall be installed on the exterior of the building in a location approved by Bluebonnet Electric Cooperative.

200 amp meter socket and weatherproof main disconnect.

Conduit above finished grade shall be minimum galvanized metal or schedule 80 Gray PVC rigid nonmetallic conduit.

Latest update can be found at [www.bluebonnetelectric.coop](http://www.bluebonnetelectric.coop)

- Member/Electrician shall coordinate with Bluebonnet personal to install all conduit and the pulling of the secondary wire to the transformer. Member/Electrician shall notify Bluebonnet 48 hours in advance to schedule a time/date to perform the work.
- If additional trips are made to the site by Bluebonnet personnel, applicable fees may be applied.
- The main electrical disconnect for each electrical service shall be installed on the exterior of the building in a location approved by Bluebonnet Electric Cooperative.



FOR THE MEMBER'S SAFETY, WIRING INSTALLATIONS SHALL CONFORM TO THE REQUIREMENTS OF THE NEC, TDLR AND NESC.

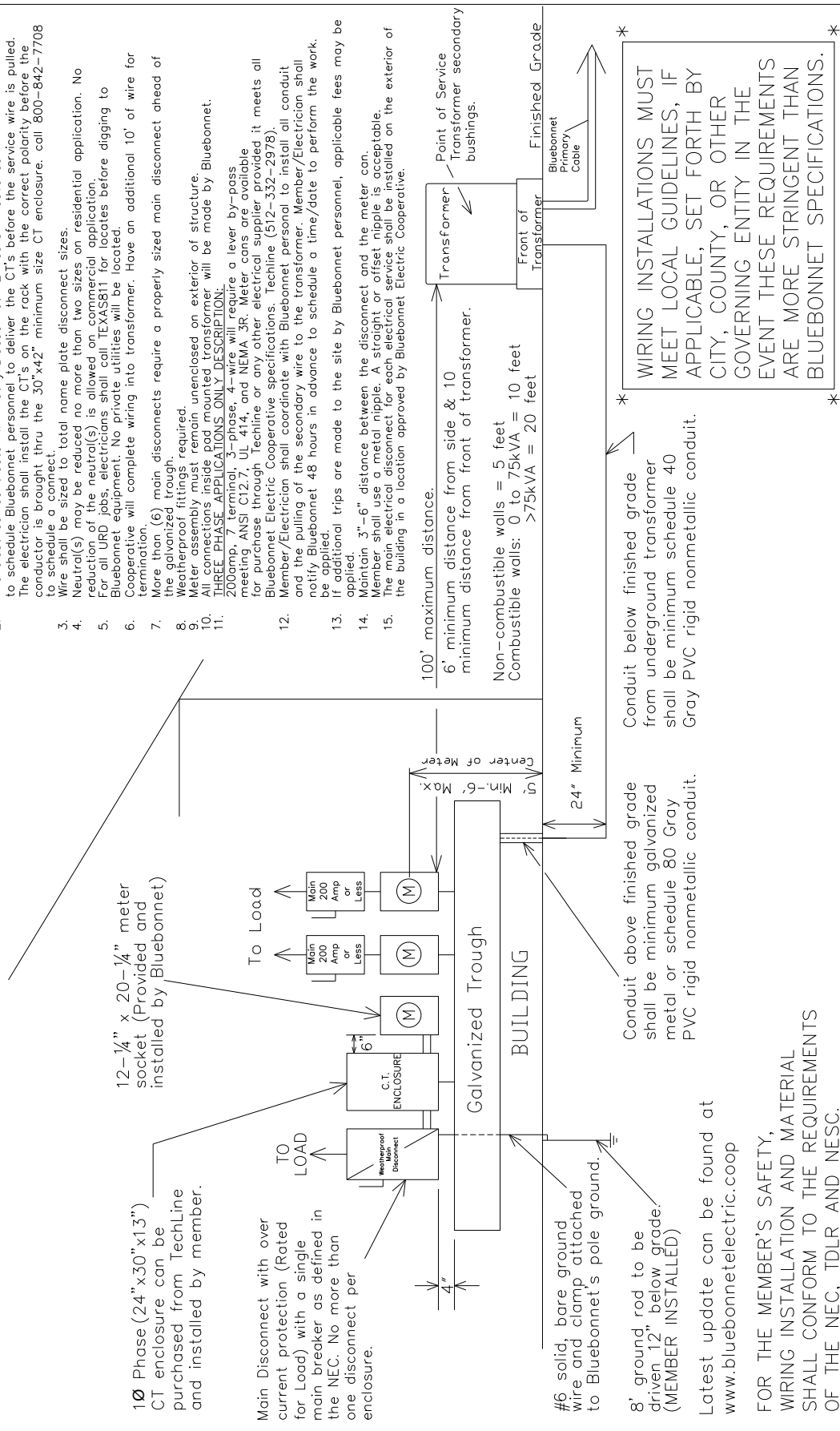


1Ø OR 3Ø, 60-200 AMP UNDERGROUND SERVICE ON RACK OR BUILDING	
DATE	REVISIONS
11-19-2019	ADDED SOLID COPPER NOTE.
11-04-2021	ADDED MAIN BREAKER NOTE.

Drawn By :	CV	Checked By :	MS COMMITTEE	Approved By :	MS COMMITTEE
Scale :	NONE	Date :	11-04-2021		MS-201

**Notes:**

- Line taps shall be made in the galvanized wiring trough by the electrical contractor. The electrical contractor will notify Bluebonnet 72 hours in advance to schedule Bluebonnet personnel to deliver the CT's before the service wire is pulled.
- The electrician shall install the CT's on the rack with the correct polarity before the conductor is brought thru the 30"x42" minimum size CT enclosure, call 800-842-7708 to schedule a connect.
- Wire shall be sized to total name plate disconnect sizes.
- Neutral(s) may be reduced no more than two sizes on residential application. No reduction of the neutral(s) is allowed on commercial application.
- For all URD jobs, electricians shall call TEXAS811 for locates before digging to Bluebonnet equipment. No private utilities will be located.
- Cooperation will complete wiring into transformer. Have an additional 10' of wire for termination.
- More than (6) main disconnects require a properly sized main disconnect ahead of the galvanized trough.
- Weatherproof fittings required.
- Meter assembly must remain unenclosed on exterior of structure.
- All connections inside pad mounted transformer will be made by Bluebonnet.
- THREE PHASE APPLICATIONS ONLY DESCRIPTION:  
2000amp, 7 terminal, 3-phase, 4-wire will require a lever-by-pass meeting ANSI C12.7, UL 414, and NEMA 3R. Meter cans are available for purchase through Techline or any other electrical supplier provided it meets all Bluebonnet Electric Cooperative specifications. Techline (512-332-2978).
- Member/Electrician shall coordinate with Bluebonnet personnel to install all conduit and the pulling of the secondary wire to the transformer. Member/Electrician shall notify Bluebonnet 48 hours in advance to schedule a time/date to perform the work. If additional trips are made to the site by Bluebonnet personnel, applicable fees may be applied.
- Maintain 3"-6" distance between the disconnect and the meter can.
- Member shall use a metal nipple. A straight or offset nipple is acceptable.
- The main electrical disconnect for each electrical service shall be installed on the exterior of the building in a location approved by Bluebonnet Electric Cooperative.



Latest update can be found at [www.bluebonnetelectric.coop](http://www.bluebonnetelectric.coop)

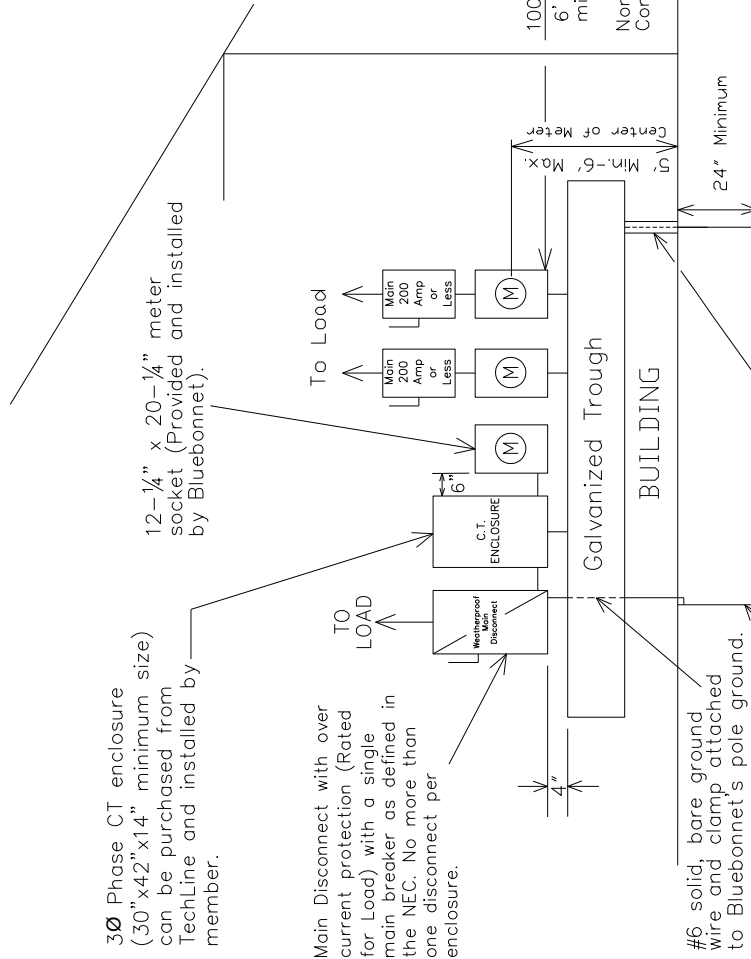
FOR THE MEMBER'S SAFETY, WIRING INSTALLATION AND MATERIAL SHALL CONFORM TO THE REQUIREMENTS OF THE NEC, TDLR AND NESC.



1 PHASE >400 AMP UNDERGROUND WITH MULTIPLE METERING POINTS AND CT METERING ON BUILDING.		Drawn By : RG	Checked By : MS COMMITTEE	Approved By : MS COMMITTEE
DATE	REVISIONS	Scale : NONE	Date : 11-04-2021	MS-202A1
04-19-2021	Changed the size of the CT Meter Con requirements.			
11-04-2021	Added Main Breaker Note			

**Notes:**

- Line taps shall be made in the galvanized wiring trough by the electrical contractor. The electrical contractor will notify Bluebonnet 72 hours in advance to schedule Bluebonnet personnel to deliver the CT's before the service wire is pulled. The electrician shall install the CT's on the rack with the correct polarity before the conductor is brought thru the 30"x42" minimum size CT enclosure. call 800-842-7708 to schedule a connect.
- Wire shall be sized to total name plate disconnect sizes.
- Neutral(s) may be reduced no more than two sizes on residential application. No reduction of the neutral(s) is allowed on commercial application. For all URD jobs, electricians shall call TEXAS811 for locates before digging to Bluebonnet equipment. No private utilities will be located.
- Cooperative will complete wiring into transformer. Have an additional 10' of wire for termination.
- More than (6) main disconnects require a properly sized main disconnect ahead of the galvanized trough.
- Weatherproof fittings required.
- Meter assemblies must remain unenclosed on exterior of structure.
- All connections inside pad mounted transformer will be made by Bluebonnet.
- THREE PHASE APPLICATIONS ONLY DESCRIPTION:  
200amp, 7 terminal, 3-phase, 4-wire will require a lever by-pass meeting ANSI C12.7, UL 414, and NEMA 3R. Meter cans are available for purchase through Techline or any other electrical supplier provided it meets all Bluebonnet Electric Cooperative specifications. Techline (512-332-2978).
- Member/Electrician shall coordinate with Bluebonnet personnel to install all conduit and the pulling of the secondary wire to the transformer. Member/Electrician shall notify Bluebonnet 48 hours in advance to schedule a time/date to perform the work.
- If additional trips are made to the site by Bluebonnet personnel, applicable fees may be applied.
- Maintain 3"-6" distance between the disconnect and the meter can. Member shall use a metal nipple. A straight or offset nipple is acceptable.
- The main electrical disconnect for each electrical service shall be installed on the exterior of the building in a location approved by Bluebonnet Electric Cooperative.



100' maximum distance.  
6' minimum distance from side & 10' minimum distance from front of transformer.  
Non-combustible walls = 5 feet  
Combustible walls: 0 to 75kVA = 10 feet  
>75kVA = 20 feet

Conduit above finished grade shall be minimum galvanized metal or schedule 80 Gray PVC rigid nonmetallic conduit.

Conduit below finished grade from underground transformer shall be minimum schedule 40 Gray PVC rigid nonmetallic conduit.

8' ground rod to be driven 12" below grade. (MEMBER INSTALLED)

Latest update can be found at [www.bluebonnetelectric.coop](http://www.bluebonnetelectric.coop)

FOR THE MEMBER'S SAFETY, WIRING INSTALLATION AND MATERIAL SHALL CONFORM TO THE REQUIREMENTS OF THE NEC, TDLR AND NESC.

WIRING INSTALLATIONS MUST MEET LOCAL GUIDELINES, IF APPLICABLE, SET FORTH BY CITY, COUNTY, OR OTHER GOVERNING ENTITY IN THE EVENT THESE REQUIREMENTS ARE MORE STRINGENT THAN BLUEBONNET SPECIFICATIONS.

3 PHASE >200 AMP UNDERGROUND WITH MULTIPLE METERING POINTS AND CT METERING ON BUILDING.	
DATE	REVISIONS
04-19-2021	Removed Single Phase from the CT Enclosure Note.
11-04-2021	Added Main Breaker Note

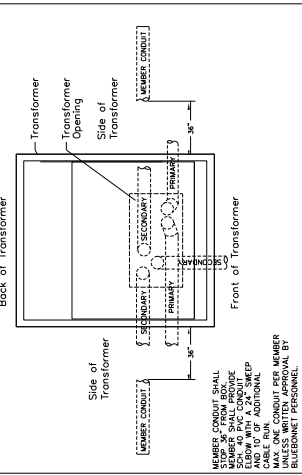
Drawn By :	RG	Checked By :	MS COMMITTEE	Approved By :	MS COMMITTEE
Scale :	NONE	Date :	11-04-2021		MS-202B3

**Notes:**

- Main disconnect panel may not be used as an electrical race way.
- Line taps shall be made by the electrical contractor if a galvanized wiring trough is used.
- Weatherproof fittings required.
- Any combination of six disconnects totaling no more than 400 amps can be used. REF. NEC, SEC 230.71
- Recommended wire size is either parallel 2/0 THHN copper or parallel 4/0 THN aluminum.
- Neutrals may be reduced no more than two sizes on residential applications. No reduction of the neutrals is allowed on commercial applications.
- Member shall install an additional of 10' wire for termination.
- Weatherproof main disconnect panels shall have a single main breaker or 6-handle main as defined in the NEC.
- Metering point must remain unenclosed on exterior of structure.
- Metering cannot be mounted on the side of a mobile home.

\* WIRING INSTALLATIONS MUST MEET LOCAL GUIDELINES, IF APPLICABLE, SET FORTH BY CITY, COUNTY, OR OTHER GOVERNING ENTITY IN THE EVENT THESE REQUIREMENTS ARE MORE STRINGENT THAN BLUEBONNET SPECIFICATIONS. \*

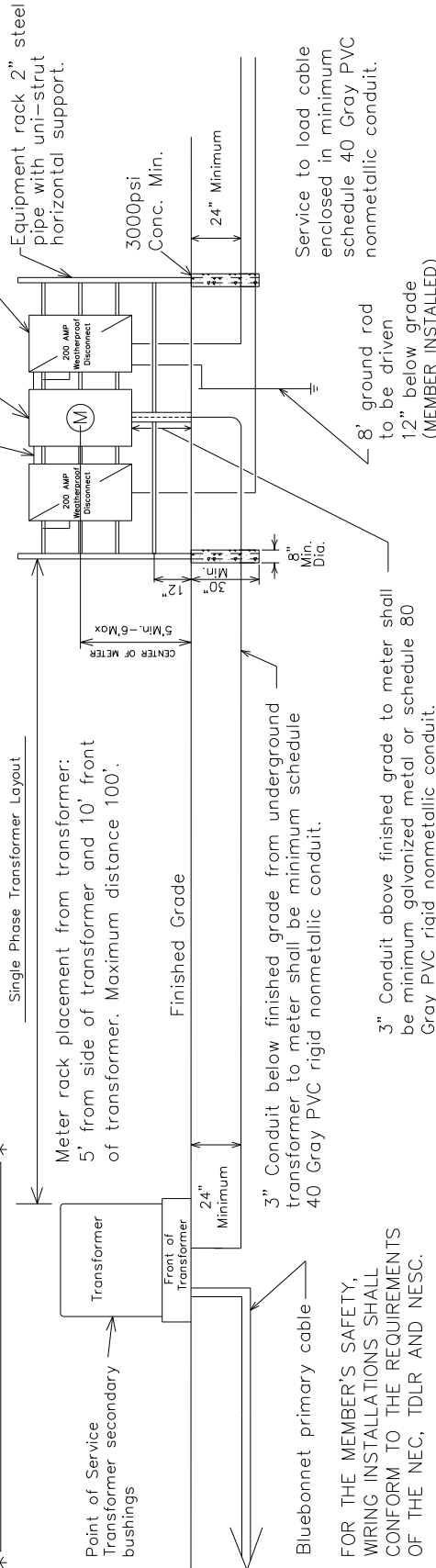
- All secondary connections in transformer are made by Bluebonnet.
- Only 400 Amps meter cans are allowed. No 320 Amp Meter Cans are allowed.
- All service wires entering the meter can (Top or Bottom Feed) will be terminated at the closest lugs. No phase conductors shall be run through the center of the meter can.
- Member must contact Bluebonnet to determine where the secondary conduit is to be run to the transformer. Conduit to be installed 36" to the side of transformer. Call 800-842-7708 to schedule an appointment.
- Member/Electrician shall coordinate with Bluebonnet personal to install all conduit and the pulling of the secondary wire to the transformer.
- Member/Electrician shall notify Bluebonnet 48 hours in advance to schedule a time/date to perform the work.
- If additional trips are made to the site by Bluebonnet personnel, applicable fees may be applied.
- Maintain 3"-6" distance between the disconnect and the meter can. Member shall use a metal nipple. A straight or offset nipple is acceptable.
- Largest wire to be pulled in to the meter can is 500 MCM Cooper.
- A detailed load sheet shall be filled out and returned to Bluebonnet before the service will be connected.
- #6 solid, bare ground copper wire and clamp to Bluebonnet's pole ground.
- The main electrical disconnect for each electrical service shall be installed on the exterior of the building in a location approved by Bluebonnet Electric Cooperative.



Latest update can be found at [www.bluebonnetelectric.coop](http://www.bluebonnetelectric.coop)

**Landis & Gyr, Type K-4, Description:** 400 amp, 4 terminals, 3 wire, residential/commercial socket single phase self-contained, large coverplate. The meter lugs can accommodate up to 500 MCM. These meter cans are available for purchase through Techline or any other electrical supplier provided it meets all Bluebonnet Electric Cooperative specifications. Techline phone numbers: Red Rock (512-332-2978).

Weatherproof Disconnect(s). No more than one disconnect per enclosure



FOR THE MEMBER'S SAFETY, WIRING INSTALLATIONS SHALL CONFORM TO THE REQUIREMENTS OF THE NEC, TDLR AND NESC.

	10 400 AMP UPD SERVICE ON RACK OR BUILDING WITH K BASE BOLTED IN METER SOCKET		Checked By :	MS COMMITTEE	MS COMMITTEE
	DATE	REVISIONS	Drawn By :	RG	MS COMMITTEE
	11-20-19	Added Solid Copper Note.	Scale :	NONE	Date :
	11-04-21	Added Main Breaker Note			11-04-2021
			Approved By :		MS-203

Notes:

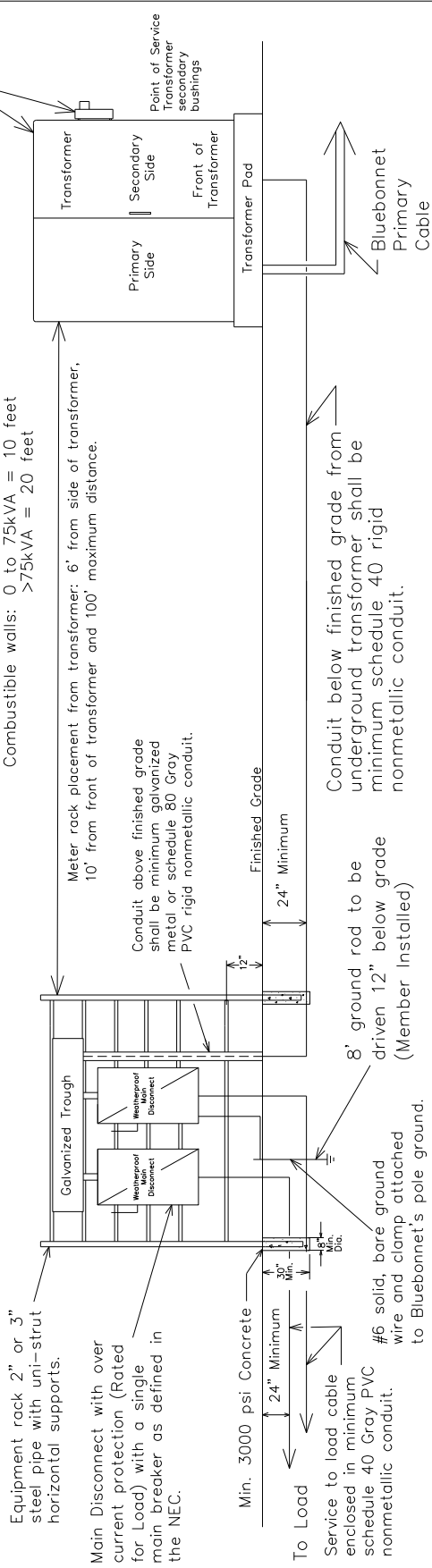
1. Line taps shall be made in the galvanized trough by the electrical contractor.
2. Weatherproof fittings required.
3. Two disconnects could be substituted with (1) disconnect. All disconnects shall have over current protection.
4. Wire shall be sized to total disconnect sizes.
5. Neutral(s) may be reduced no more than two sizes on residential application. No reduction of the neutral(s) is allowed on commercial application.
6. Member shall contact Bluebonnet Electric to determine the secondary conduit location. Conduit to be installed 36" to the side of transformer. Call 800-842-7708 to schedule an appointment.
7. Bluebonnet will complete wiring into transformer. Have sufficient amount of wire for termination. Member shall install an additional 10' of wire for termination.
8. All secondary connections to be made inside transformer by Bluebonnet.
9. Bluebonnet to provide the CT's.
10. Meter assembly must remain unenclosed on exterior of structure.
11. Member/Electrician shall coordinate with Bluebonnet personal to install all conduit and the pulling of the secondary wire to the transformer.
12. Member/Electrician shall notify Bluebonnet 48 hours in advance to schedule a time/date to perform the work.
13. If additional trips are made to the site by Bluebonnet personnel, applicable fees may be applied.
14. Maintain 3"-6" distance between the disconnect and the meter can. Member shall use a metal nipple. A straight or offset nipple is acceptable.
15. The main electrical disconnect for each electrical service shall be installed on the exterior of the building in a location approved by Bluebonnet Electric Cooperative.

\* WIRING INSTALLATIONS MUST MEET LOCAL GUIDELINES, IF APPLICABLE, SET FORTH BY CITY, COUNTY, OR OTHER GOVERNING ENTITY IN THE EVENT THESE REQUIREMENTS ARE MORE STRINGENT THAN BLUEBONNET SPECIFICATIONS. \*

FOR THE MEMBER'S SAFETY, WIRING INSTALLATION AND MATERIAL SHALL CONFORM TO THE REQUIREMENTS OF THE NEC, TDLR AND NESC.

Three phase application, the CT's & meter can be located on/in the transformer.

Non-combustible walls = 5 feet  
 Combustible walls: 0 to 75kVA = 10 feet  
 >75kVA = 20 feet

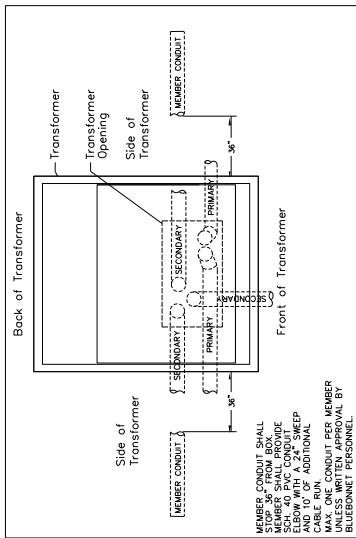


Latest update can be found at [www.bluebonnetelectric.coop](http://www.bluebonnetelectric.coop)

	3 PHASE >200 AMP UNDERGROUND SERVICE WITH DISCONNECT ON RACK OR BUILDING		Drawn By : RG	Checked By : MS COMMITTEE	Approved By : MS COMMITTEE
	DATE 11-20-19	REVISIONS Added Solid Copper Note.	Scale : NONE	Date : 11-04-2021	MS-204A3
	11-04-21 Added Main Breaker Note				

**Notes:**

- Line taps shall be made in the galvanized wiring trough by the electrical contractor.
- The electrical contractor will notify Bluebonnet 72 hours in advance to schedule Bluebonnet personal to deliver the CT's. The electrician shall install the CT's (provided by BEC) on the rack with the correct polarity before the conductor is brought thru the 30"x42" (minimum size) CT enclosure. Call 800-842-7708 to schedule a connect.
- Wire shall be sized to total name plate disconnect sizes.
- Neutral(s) may be reduced no more than two sizes on residential application. No reduction of the neutral(s) is allowed on commercial application. For all URD jobs, electricians shall call TEXAS811 for locates before digging to Bluebonnet equipment. No private utilities will be located.
- Cooperative will complete wiring into transformer or UJB. Have an additional 10' of wire for termination.
- Weatherproof fittings required.
- Meter assembly must remain unenclosed on exterior of structure.
- All connections inside pad mounted transformer will be made by Bluebonnet.
- Member/Electrician shall coordinate with Bluebonnet personal to install all conduit and the pulling of the secondary wire to the transformer.
- Member/Electrician shall notify Bluebonnet 48 hours in advance to schedule a time/date to perform the work.
- If additional trips are made to the site by Bluebonnet personnel, applicable fees may be applied.
- CT enclosure can be purchased from Techline (512-332-2978).
- Maintain 3"-6" distance between the disconnect and the meter can. Member shall use a metal nipple. A straight or offset nipple is acceptable.
- #6 solid, bare ground copper wire and clamp attached to Bluebonnet's pole ground.
- The main electrical disconnect for each electrical service shall be installed on the exterior of the building in a location approved by Bluebonnet Electric Cooperative.



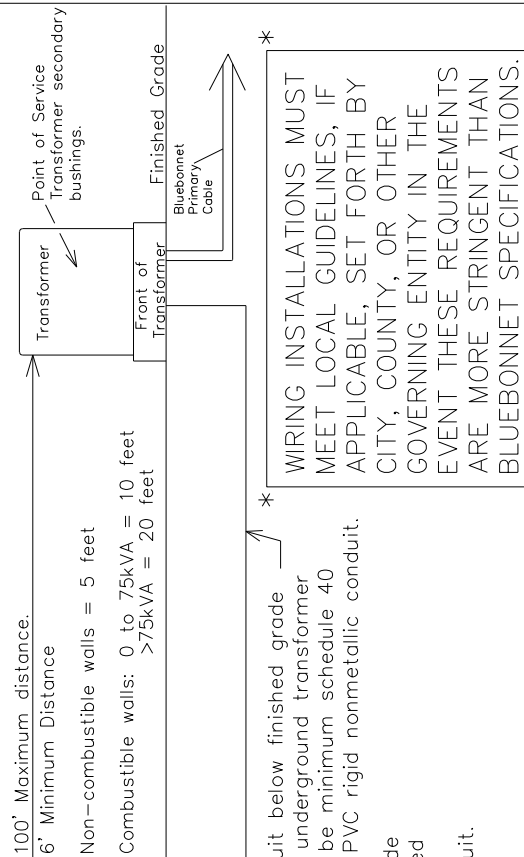
Single Phase Transformer Layout

Main Disconnect with over current protection (Rated for Load) with a single main breaker as defined in the NEC.

8' ground rod to be driven 12" below grade. (MEMBER INSTALLED)

FOR THE MEMBER'S SAFETY, WIRING INSTALLATION AND MATERIAL SHALL CONFORM TO THE REQUIREMENTS OF THE NEC, TDLR AND NESC.

Latest update can be found at [www.bluebonnetelectric.coop](http://www.bluebonnetelectric.coop)



**WIRING INSTALLATIONS MUST MEET LOCAL GUIDELINES, IF APPLICABLE, SET FORTH BY CITY, COUNTY, OR OTHER GOVERNING ENTITY IN THE EVENT THESE REQUIREMENTS ARE MORE STRINGENT THAN BLUEBONNET SPECIFICATIONS.**

	1 PHASE >400 AMP SERVICE WITH CT METERING ON BUILDING OR RACK 11-20-2017 Added Solid Copper Note. 04-16-2021 Changed the size of the CT Meter Con requirements. 11-04-2021 Added Main Breaker Note	Drawn By : RG Scale : NONE	Checked By : MS COMMITTEE Date : 11-04-2021	Approved By : MS COMMITTEE MS-204B1
	Approved By : MS COMMITTEE			
	Date : 11-04-2021			



**Notes:**

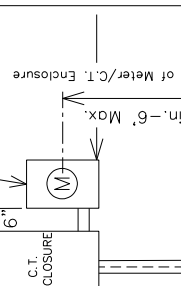
- Line taps shall be made in the galvanized wiring trough by the electrical contractor.
- The electrical contractor will notify Bluebonnet 72 hours in advance to schedule Bluebonnet personnel to deliver the CT's. The electrician shall install the CT's (provided by BEC) on the rack with the correct polarity before the conductor is brought thru the 30"x42" (minimum size) CT enclosure. Call 800-842-7708 to schedule a connect.
- Wire shall be sized to total name plate disconnect sizes.
- Neutral(s) may be reduced no more than two sizes on residential application. No reduction of the neutral(s) is allowed on commercial application. For all URD jobs, electricians shall call TEXAS811 for locates before digging to Bluebonnet equipment. No private utilities will be located.
- Cooperative will complete wiring into transformer or UJB. Have an additional 10' of wire for termination.
- Weatherproof fittings required.
- Meter assembly must remain unenclosed on exterior of structure.
- All connections inside pad mounted transformer will be made by Bluebonnet.
- Member/Electrician shall coordinate with Bluebonnet personnel to install all conduit and the pulling of the secondary wire to the transformer.
- Member/Electrician shall notify Bluebonnet 48 hours in advance to schedule a time/date to perform the work.
- If additional trips are made to the site by Bluebonnet personnel, applicable fees may be applied.
- CT enclosure can be purchased from Techline (512-332-2978).
- Maintain 3"-6" distance between the disconnect and the meter can. Member shall use a metal nipple. A straight or offset nipple is acceptable.
- The main electrical disconnect for each electrical service shall be installed on the exterior of the building in a location approved by Bluebonnet Electric Cooperative.

FOR THE MEMBER'S SAFETY, WIRING INSTALLATION AND MATERIAL SHALL CONFORM TO THE REQUIREMENTS OF THE NEC, TDLR AND NESC.

3Ø Phase (30"x42"x14" minimum size) CT enclosure (purchased from Techline and installed by member).

Main Disconnect with over current protection (Rated for Load) with a single main breaker as defined in the NEC.

12-1/4" x 20-1/4" meter socket (Provided and installed by Bluebonnet)



#6 solid, bare ground wire and clamp attached to Bluebonnet's pole ground.

BUILDING

8' ground rod to be driven 12' below grade. (MEMBER INSTALLED)

100' Maximum Distance.  
6' Minimum Distance  
Non-combustible walls = 5 feet  
Combustible walls: 0 to 75kVA = 10 feet  
>75kVA = 20 feet

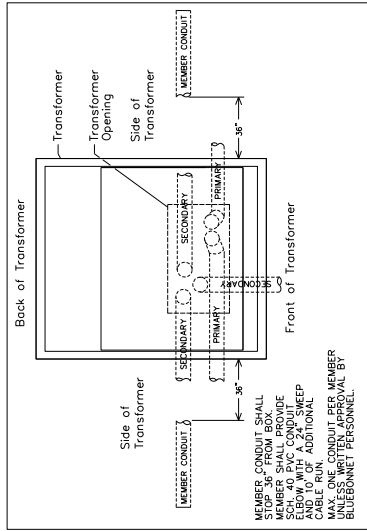
Conduit below finished grade from underground transformer shall be minimum schedule 40 Gray PVC rigid nonmetallic conduit.

Conduit above finished grade shall be minimum galvanized metal or schedule 80 Gray PVC rigid nonmetallic conduit.

WIRING INSTALLATIONS MUST MEET LOCAL GUIDELINES, IF APPLICABLE, SET FORTH BY CITY, COUNTY, OR OTHER GOVERNING ENTITY IN THE EVENT THESE REQUIREMENTS ARE MORE STRINGENT THAN BLUEBONNET SPECIFICATIONS.

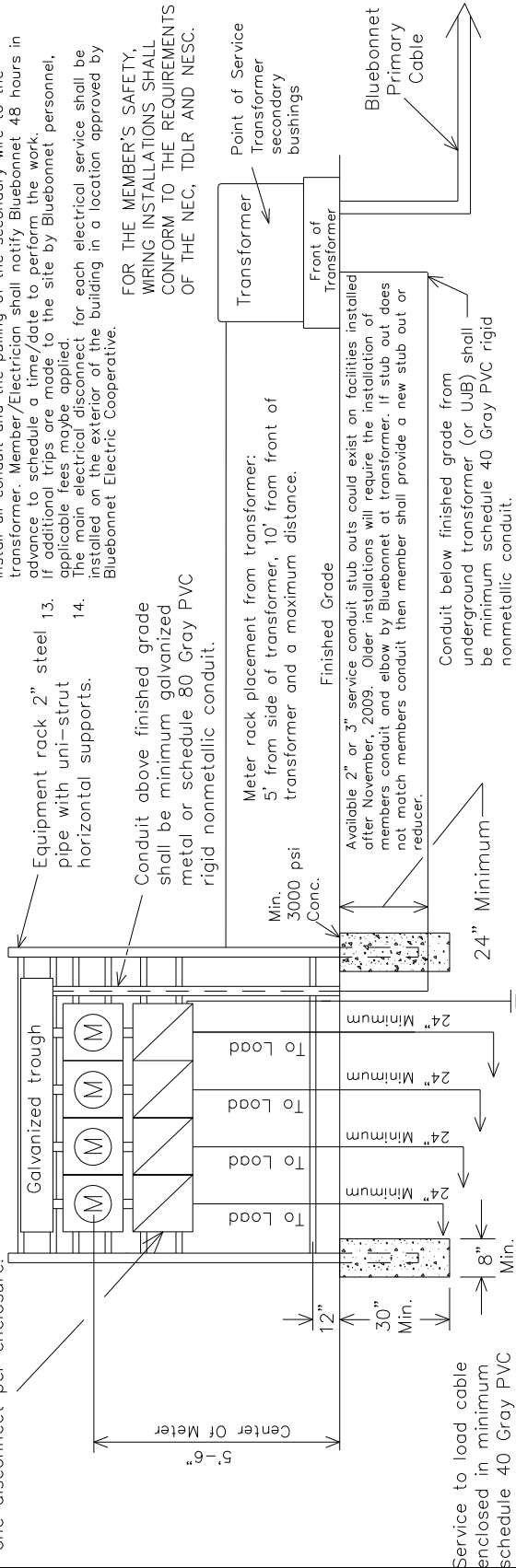
		3 Phase >200 AMP SERVICE WITH CT METERING ON BUILDING OR RACK 11-20-2019   Added Solid Copper Note. 04-19-2021   Removed Single Phase from the CT Enclosure Note. 11-04-2021   Added Main Breaker Note.	Drawn By : RG Scale : NONE	Checked By : MS COMMITTEE Date : 11-04-2021	Approved By : MS COMMITTEE MS-204B3
		Latest update can be found at <a href="http://www.bluebonnetelectric.coop">www.bluebonnetelectric.coop</a>			

Single Phase Transformer Layout



**WIRING INSTALLATIONS MUST MEET LOCAL GUIDELINES, IF APPLICABLE, SET FORTH BY CITY, COUNTY, OR OTHER GOVERNING ENTITY IN THE EVENT THESE REQUIREMENTS ARE MORE STRINGENT THAN BLUEBONNET SPECIFICATIONS.**

No more than four 60-200 Amp meter sockets and weatherproof main disconnects. No more than one disconnect per enclosure.



CURRENT CARRYING CAPACITIES AND CONDUIT/NIPPLE SIZE REQUIREMENT OF STANDARD WIRE SIZE. REFER TO NEC FOR OTHER CALCULATIONS.

COPPER CONDUCTOR	CONDUIT/NIPPLE SIZE	ALUMINUM CONDUCTOR	CONDUIT/NIPPLE SIZE
60 AMP	#4	60 AMP	1 1/2" CONDUIT
100 AMP	#2	100 AMP	1 1/2" CONDUIT
125 AMP	#1	125 AMP	2" CONDUIT
150 AMP	#2/0	150 AMP	2" CONDUIT
200 AMP	#2/0	200 AMP	2" CONDUIT

Service to load cable enclosed in minimum schedule 40 Gray PVC nonmetallic conduit.

Latest update can be found at [www.bluebonnetelectric.coop](http://www.bluebonnetelectric.coop)



- Notes:
- Line taps shall be made in the galvanized trough by the electrical contractor.
  - More than (6) main disconnects require a properly sized main disconnect ahead of the galvanized trough.
  - Weatherproof fittings required.
  - Wire shall be sized to total disconnect sizes.
  - Neutral(s) may be reduced no more than two sizes on residential application. No reduction of the neutral(s) is allowed on commercial application.
  - For all URD jobs, electricians shall call TEXAS811 for locates before digging to Bluebonnet equipment. No private utilities will be located. Bluebonnet will complete wiring into transformer. Have 10 additional amount of wire for termination.
  - Member loop must remain unenclosed on exterior of structure.
  - Member loop can not be mounted on the side of a mobile home.
  - All secondary connections made by Bluebonnet.
  - THREE PHASE APPLICATIONS ONLY DESCRIPTION: 200amp, 7 terminal, 3-phase, 4-wire will require a lever by-pass meeting ANSI C12.7, UL 414, and NEMA 3R. Meter cans are available for purchase through Techline or any other electrical supplier provided it meets all Bluebonnet Electric Cooperative specifications. Giddings 979-542-8657, Red Rock 512-332-2978, Brenham 979-277-7240.
  - Member/Electrician shall coordinate with Bluebonnet personal to install all conduit and the pulling of the secondary wire to the transformer. Member/Electrician shall notify Bluebonnet 48 hours in advance to schedule a time/date to perform the work. If applicable fees maybe applied.
  - The main electrical disconnect for each electrical service shall be installed on the exterior of the building in a location approved by Bluebonnet Electric Cooperative.

FOR THE MEMBER'S SAFETY, WIRING INSTALLATIONS SHALL CONFORM TO THE REQUIREMENTS OF THE NEC, IDLR AND NESC.

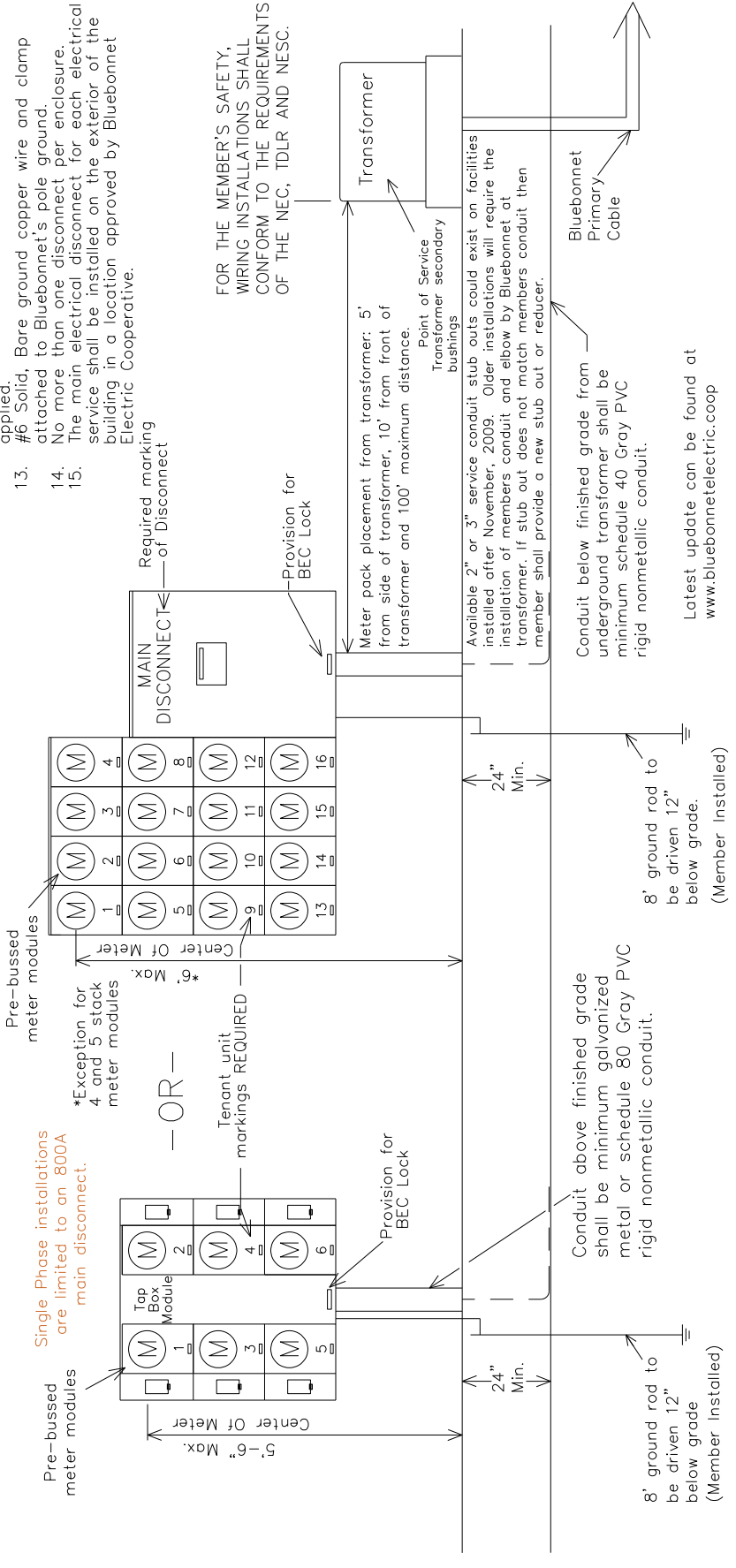
Checked By :	MS COMMITTEE	Approved By :	MS COMMITTEE
Date :	11-04-2021		

Drawn By :	RG	Scale :	NONE
10 OR 30, 60-200 AMP UNDERGROUND GANG MOUNTED METERS ON RACK OR BUILDING NOT TO EXCEED A TOTAL OF 800 AMPS.			
DATE	REVISIONS		
12-07-2017	ADDED WIRE SIZING CHART.		
12-07-2017	ADDED MAIN BREAKER NOTE		

- Notes:
- Covers on circuit breaker compartments must be removable without disturbing meters.
  - Meter socket components must be readily accessible and removable for maintenance.
  - Weatherproof fittings required.
  - Wire sized to total disconnect sizes.
  - Neutral(s) may be reduced no more than two sizes on residential application. No reduction of the neutral(s) is allowed on commercial application.
  - For all URD jobs, electricians should call in for locate before digging to Bluebonnet equipment.

- Bluebonnet will complete wiring into transformer. Have sufficient amount of wire for termination. Meter loop must remain unenclosed on exterior of structure.
- If a main disconnect module is used, its cover must have provisions for a standard Bluebonnet padlock.
- All secondary connections made by Bluebonnet. Member/Electrician shall coordinate with Bluebonnet personnel to install all conduit and the pulling of the secondary wire to the transformer. Member/Electrician shall notify Bluebonnet 48 hours in advance to schedule a time/date to perform the work. If additional trips are made to the site by Bluebonnet personnel, applicable fees may be applied.
- #6 Solid, Bare ground copper wire and clamp attached to Bluebonnet's pole ground.
- No more than one disconnect per enclosure.
- The main electrical disconnect for each electrical service shall be installed on the exterior of the building in a location approved by Bluebonnet Electric Cooperative.

**WIRING INSTALLATIONS MUST MEET LOCAL GUIDELINES, IF APPLICABLE, SET FORTH BY CITY, COUNTY, OR OTHER GOVERNING ENTITY IN THE EVENT THESE REQUIREMENTS ARE MORE STRINGENT THAN BLUEBONNET SPECIFICATIONS.**



FOR THE MEMBER'S SAFETY, WIRING INSTALLATIONS SHALL CONFORM TO THE REQUIREMENTS OF THE NEC, TDLR AND NESC.

Latest update can be found at [www.bluebonnetelectric.coop](http://www.bluebonnetelectric.coop)

	<b>1Ø 60-200 AMP UNDERGROUND MULTI-PACK METERS ON BUILDING</b>		Drawn By : BS	Checked By : MS COMMITTEE	Approved By : MS COMMITTEE
	DATE 11-20-19	REVISIONS Added Solid Copper Note.	Scale : NONE	Date : 11-04-2021	MS-207

Notes:

- Covers on circuit breaker compartments must be removable without disturbing meters.
- Meter socket components must be readily accessible and removable for maintenance.
- Weatherproof fittings required.
- Wire sized to total disconnect sizes.
- Neutral(s) may be reduced no more than two sizes on residential application. No reduction of the neutral(s) is allowed on commercial application.
- For all URD jobs, electricians should call in to locate before digging to Bluebonnet equipment.

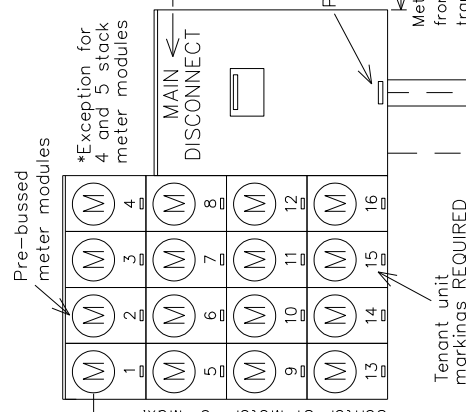
**\* WIRING INSTALLATIONS MUST MEET LOCAL GUIDELINES, IF APPLICABLE, SET FORTH BY CITY, COUNTY, OR OTHER GOVERNING ENTITY IN THE EVENT THESE REQUIREMENTS ARE MORE STRINGENT THAN BLUEBONNET SPECIFICATIONS. \***

10 or 30 (30"x42"x14" minimum size) CT Enclosure (purchased from Techline and installed by member).

12-1/4" x 20-1/4" meter socket (Provided and installed by Bluebonnet)

18"x20" meter socket (installed by Bluebonnet)

A Galvanized Trough shall be used if more than one CT Meter or Self Contained Meter is needed.



Center Of Meter \*6" Max

5" to 6" Center of Meter

Tenant unit markings REQUIRED

24" Min.

8' ground rod to be driven 12" below grade. (MEMBER INSTALLED)

Conduit above finished grade shall be minimum galvanized metal or schedule 80 Gray PVC rigid nonmetallic conduit.

Available 2" or 3" service conduit stub outs could exist on facilities installed after November, 2009. Older installations will require the installation of members conduit and elbow by Bluebonnet at transformer. If stub out does not match members conduit then member shall provide a new stub out or reducer.

Conduit below finished grade from underground transformer shall be minimum schedule 40 Gray PVC rigid nonmetallic conduit.

- Bluebonnet will complete wiring into transformer. Have sufficient amount of wire for termination. Meter loop must remain unenclosed on exterior of structure.
- If a main disconnect module is used, its cover must have provisions for a standard Bluebonnet padlock.
- All secondary connections made by Bluebonnet. Member/Electrician shall coordinate with Bluebonnet personal to install all conduit and the pulling of the secondary wire to the transformer.
- Member/Electrician shall notify Bluebonnet 48 hours in advance to schedule a time/date to perform the work.
- If additional trips are made to the site by Bluebonnet personnel, applicable fees may be applied.
- #6 solid, bare ground copper wire and clamp attached to Bluebonnet's pole ground.
- No more than one disconnect per enclosure.
- The main electrical disconnect for each electrical service shall be installed on the exterior of the building in a location approved by Bluebonnet Electric Cooperative.

FOR THE MEMBER'S SAFETY, WIRING INSTALLATIONS SHALL CONFORM TO THE REQUIREMENTS OF THE NEC, TDLR AND NESC.

Transformer Pad  
Primary Side  
Secondary Side  
Front of Transformer

Meter pack placement from transformer: 5' from side of transformer, 10' from front of transformer and maximum distance of 100'.  
Point of Service Transformer secondary bushings.

Available 2" or 3" service conduit stub outs could exist on facilities installed after November, 2009. Older installations will require the installation of members conduit and elbow by Bluebonnet at transformer. If stub out does not match members conduit then member shall provide a new stub out or reducer.

Conduit below finished grade from underground transformer shall be minimum schedule 40 Gray PVC rigid nonmetallic conduit.

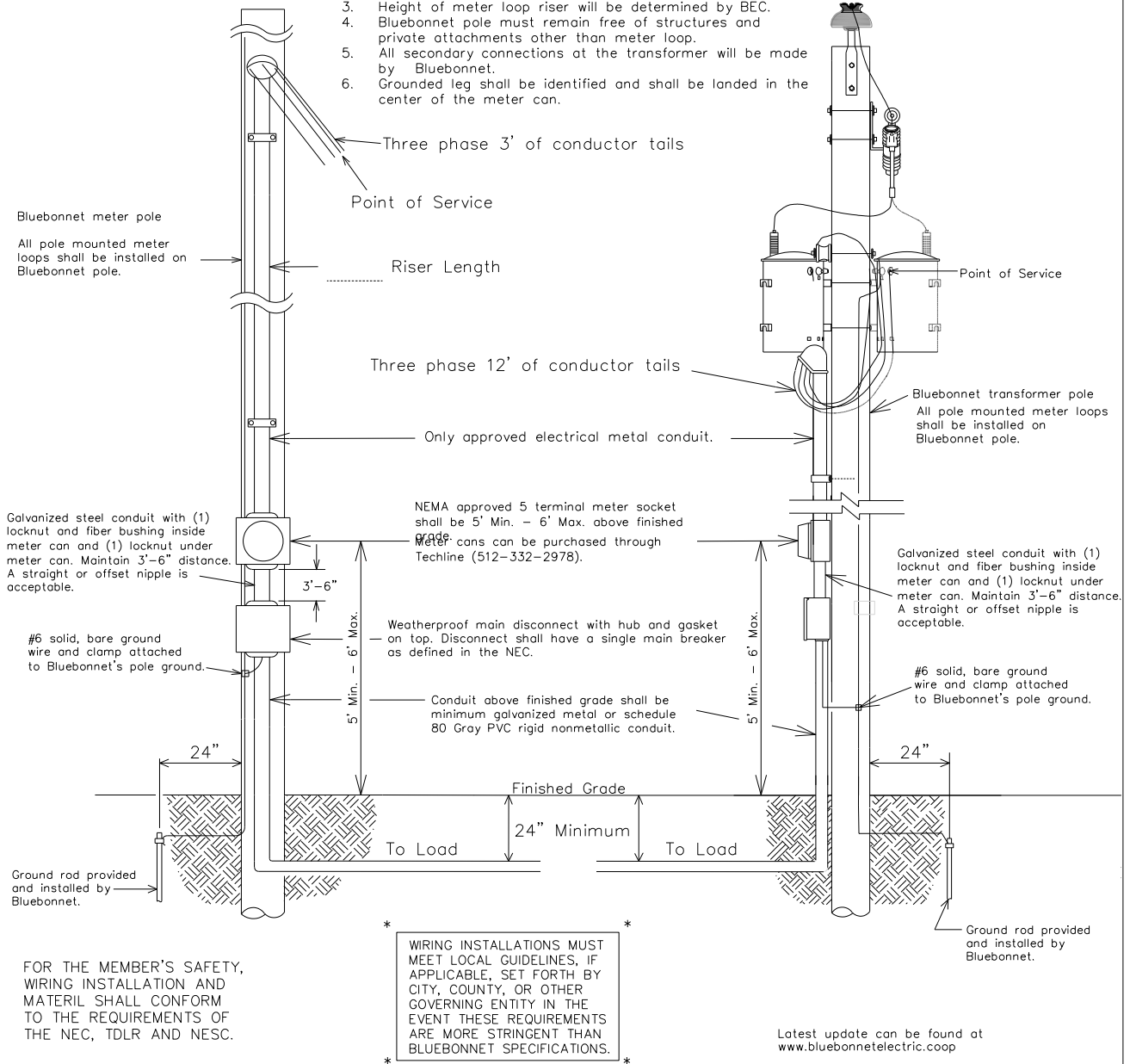
Conduit above finished grade shall be minimum galvanized metal or schedule 80 Gray PVC rigid nonmetallic conduit.

Latest update can be found at [www.bluebonnetelectric.coop](http://www.bluebonnetelectric.coop)

	Drawn By : RG Scale : NONE	Checked By : MS COMMITTEE Approved By : MS COMMITTEE
	DATE : 11-20-2019 REVISIONS : Added Solid Copper Note. DATE : 11-04-2021 REVISIONS : Added Main Breaker Note.	Date : 11-04-2021 MS-207B

Notes:

1. A Bond wire shall be used, see NEC Table 250.66 for Bond Wire sizing.
2. Weatherproof fittings required.
3. Height of meter loop riser will be determined by BEC.
4. Bluebonnet pole must remain free of structures and private attachments other than meter loop.
5. All secondary connections at the transformer will be made by Bluebonnet.
6. Grounded leg shall be identified and shall be landed in the center of the meter can.



CURRENT CARRYING CAPACITIES AND CONDUIT SIZE REQUIREMENT OF STANDARD WIRE SIZE—(RHH, RHW, THW, THWN, THHN, AND XHHW REFER TO NEC FOR OTHER CALCULATIONS.

COPPER CONDUCTOR			ALUMINUM CONDUCTOR		
WIRE SIZE	BREAKER SIZE	CONDUIT SIZE	WIRE SIZE	BREAKER SIZE	CONDUIT SIZE
#6	60 AMP	1¼" CONDUIT	#4	60 AMP	1¼" CONDUIT
#4	100 AMP	1½" CONDUIT	#2	100 AMP	1½" CONDUIT
#2	125 AMP	1½" CONDUIT	#1/0	125 AMP	1½" CONDUIT
#1	150 AMP	2" CONDUIT	#2/0	150 AMP	2" CONDUIT
#2/0	200 AMP	2" CONDUIT	#4/0	200 AMP	2" CONDUIT

3Ø, STRAIGHT 480 VOLT  
3W CORNER GROUND DELTA  
60-200 AMP



DATE	REVISIONS	Drawn By :	Checked By :	Approved By :
12-07-2017	Changed the wording on Note # 6.	RG	MS COMMITTEE	MS COMMITTEE
11-04-2021	Added Main Breaker Note	Scale :	Date:	
		NONE	11-04-2021	MS-301A

**Notes:**

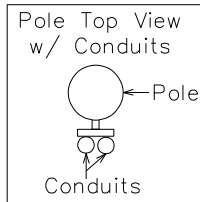
1. Line taps shall be made in the galvanized wire trough by the electrical contractor.
2. When more than (1) disconnect is used, a galvanized rough system shall be installed.
3. Weatherproof fittings are required.
4. Two (2) disconnects could be substituted with (1) disconnect. All disconnects shall have over current protection installed.
5. No more than two (2) risers or two (2) conductors per phase shall be allowed.
6. Wire shall be sized to total disconnect sizes.
7. Bluebonnet pole must remain free of structures and private attachments other than service riser assembly.
8. All secondary connections on pole will be made by Bluebonnet.
9. The electrical contractor will notify Bluebonnet 72 hours in advance to schedule Bluebonnet personnel to deliver the CT's before the service wire is pulled. The electrician shall install them on the rack with the correct polarity before the conductor is brought thru the 30"x42" (minimum size) CT enclosure. Call 800-842-7708 to schedule a connect.
10. CT enclosures can be purchased from Techline (512-332-2978).
11. Maintain 3"-6" distance between the disconnect and the meter can. Member shall use a metal nipple. A straight or offset nipple is acceptable.
12. #6 solid, bare ground copper wire and clamp attached to Bluebonnet's pole ground.
13. High leg on a Delta System shall be landed on the right side of the meter can and taped with orange tape.
14. The main electrical disconnect for each electrical service shall be installed on the exterior of the building in a location approved by Bluebonnet Electric Cooperative.

**Transformer Pole Riser Length:**

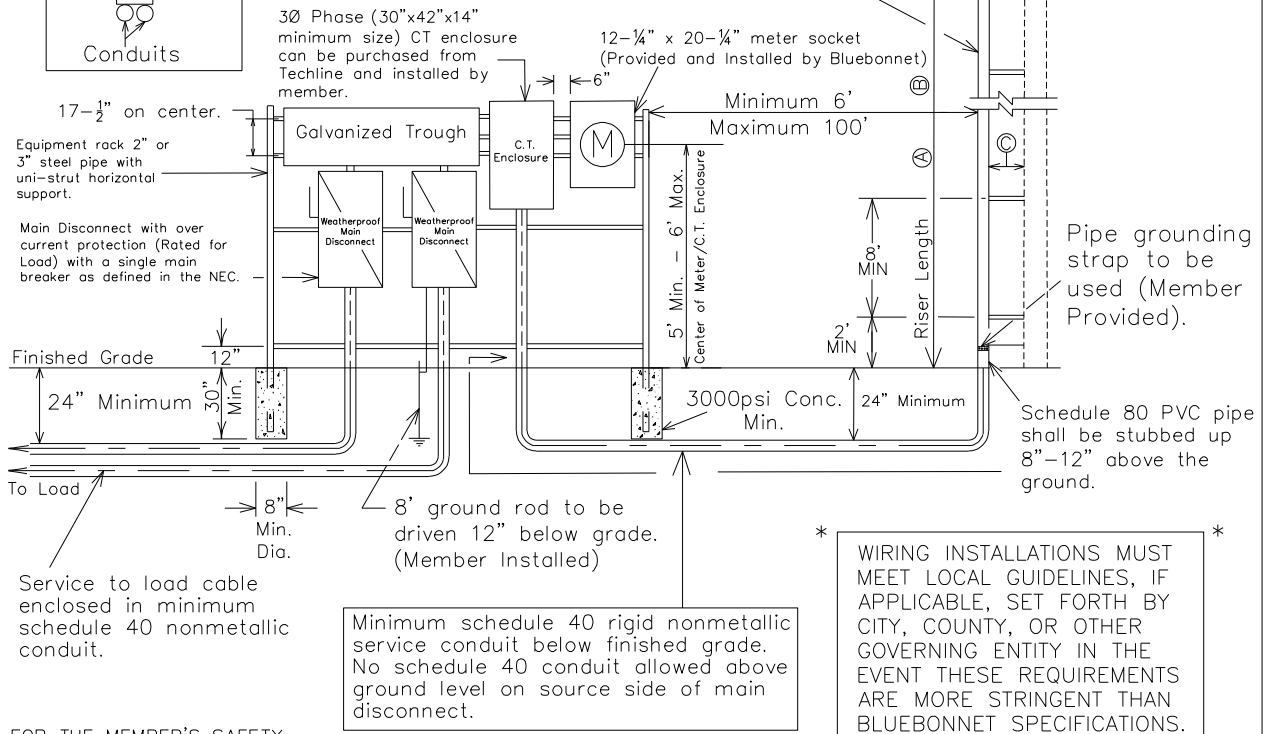
- 35' Pole = 20' Riser
- 40' Pole = 24' Riser

**Service Pole Riser Length:**

- 30' Pole = 20' Riser
- 35' Pole = 24' Riser



Only 2", 3", or 4" approved electrical metal conduit is allowed. Risers will not exceed 2 risers per pole. Member will provide 12' of conductor tails from top of weatherhead. Bluebonnet to supply stand-offs. (Bluebonnet to mount risers to pole).



Latest update can be found at <http://www.bluebonnetelectric.coop>

3PH, STRAIGHT 480 VOLT 3W CORNER GROUND DELTA >200 AMP ON RACK OR BUILDING

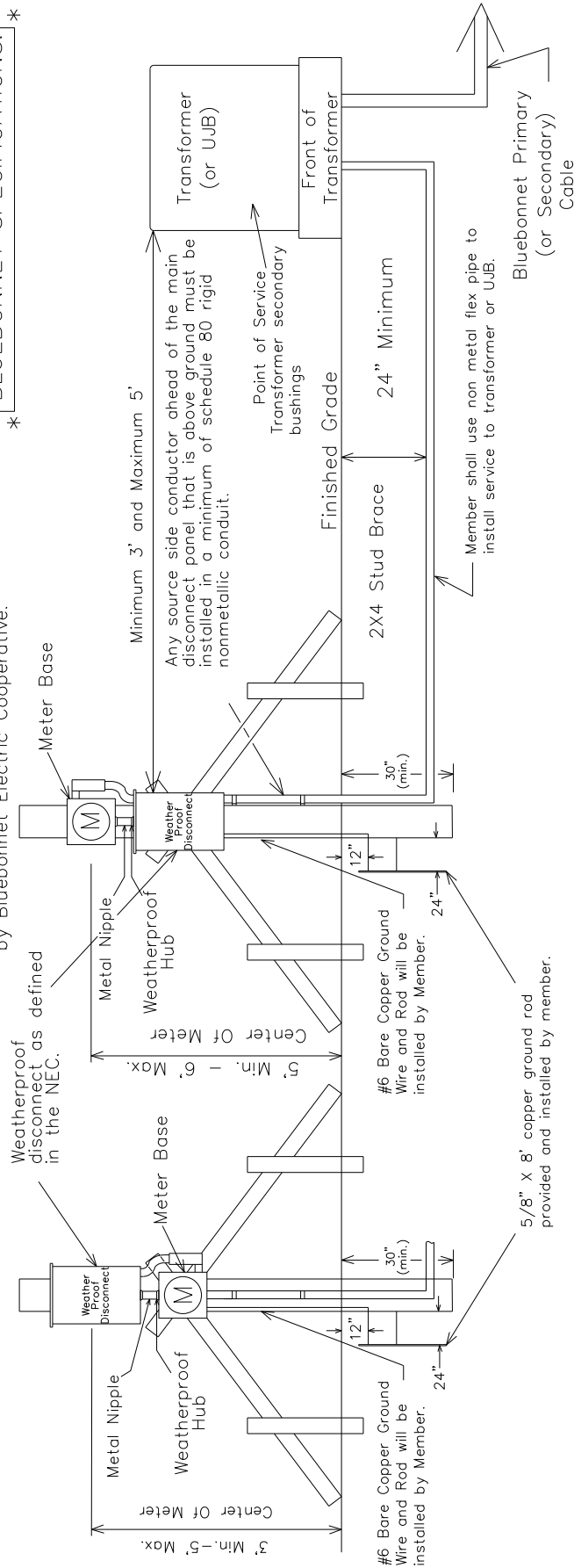


Drawn By : DK	Checked By : CV	Approved By : STANDARDS
Scale : NONE	DATE: Jun. 27, 2023	MS-301C

- Notes:**
1. All temporary wiring shall meet national electrical code standards.
  2. All outlets attached to meter loop shall have ground-fault circuit interrupter protection.
  3. For all URD jobs, electricians shall call TEXAS811 for locates before digging to Bluebonnet equipment. No private utilities will be located.
  4. Service wires shall be brought to the top side of the meter base.

5. Bluebonnet does inspect temporary meter loops and a fee shall be charged per trip for wiring inspection. Bluebonnet will refuse service if hazardous conditions exist and/or if connections do not meet specifications.
6. Bluebonnet will complete wiring into transformer or UJB. Member shall have sufficient amount of wire for termination.
7. All connections inside pad mounted transformer and UJB's will be made by Bluebonnet.
8. Temporary Meter Loop Services are good for up to 24 months of service or less.
9. The main electrical disconnect for each electrical service shall be installed on the exterior of the building in a location approved by Bluebonnet Electric Cooperative.

\* WIRING INSTALLATIONS MUST MEET LOCAL GUIDELINES, IF APPLICABLE, SET FORTH BY CITY, COUNTY, OR OTHER GOVERNING ENTITY IN THE EVENT THESE REQUIREMENTS ARE MORE STRINGENT THAN BLUEBONNET SPECIFICATIONS. \*



FOR MEMBER SAFETY,  
 WIRING INSTALLATION AND  
 MATERIAL SHALL CONFORM  
 TO THE REQUIREMENTS OF  
 THE NEC, TDLR AND NESC.

Latest update can be found at  
[www.bluebonnetelectric.coop](http://www.bluebonnetelectric.coop)

CURRENT CARRYING CAPACITIES AND CONDUIT/NIPPLE SIZE REQUIREMENT OF STANDARD WIRE SIZE (RHH, RHW, THW, THWN, THHN, THHN, AND XHHW) REFER TO NEC FOR OTHER CALCULATIONS.

WIRE SIZE	COPPER CONDUCTOR		ALUMINUM CONDUCTOR	
	BREAKER SIZE	CONDUIT SIZE	WIRE SIZE	BREAKER SIZE
#6	60 AMP	1 1/4" CONDUIT	#4	60 AMP
#4	100 AMP	1 1/2" CONDUIT	#2	100 AMP
#2	125 AMP	1 1/2" CONDUIT	#1/0	125 AMP
#1	150 AMP	2" CONDUIT	#2/0	150 AMP
#2/0	200 AMP	2" CONDUIT	#4/0	200 AMP

**TEMPORARY METER LOOP FOR UNDERGROUND SERVICE**

DATE	REVISIONS
03-29-2018	ADDED ADDITIONAL METER SETUP.
11-04-2021	ADDED MAIN BREAKER NOTE

Drawn By : RG

Scale : NONE

Checked By : MS COMMITTEE

DATE: 11-04-2021

Approved By : MS COMMITTEE

MS-302

Notes:

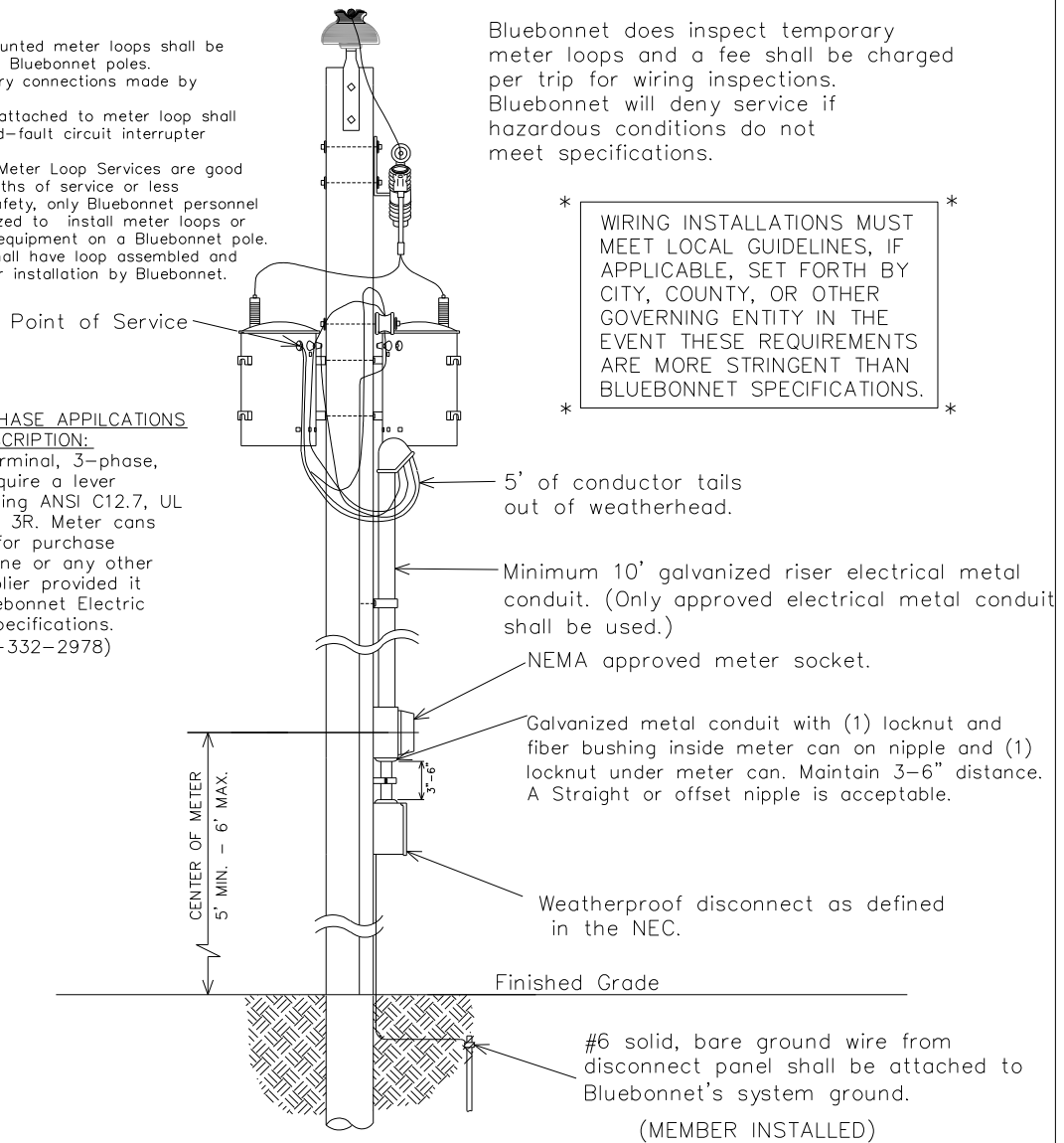
1. All pole mounted meter loops shall be mounted to Bluebonnet poles.
2. All secondary connections made by Bluebonnet.
3. All outlets attached to meter loop shall have ground-fault circuit interrupter protection.
4. Temporary Meter Loop Services are good for 24 months of service or less.
5. For your safety, only Bluebonnet personnel are authorized to install meter loops or other BEC equipment on a Bluebonnet pole. Members shall have loop assembled and available for installation by Bluebonnet.

Bluebonnet does inspect temporary meter loops and a fee shall be charged per trip for wiring inspections. Bluebonnet will deny service if hazardous conditions do not meet specifications.

\* WIRING INSTALLATIONS MUST MEET LOCAL GUIDELINES, IF APPLICABLE, SET FORTH BY CITY, COUNTY, OR OTHER GOVERNING ENTITY IN THE EVENT THESE REQUIREMENTS ARE MORE STRINGENT THAN BLUEBONNET SPECIFICATIONS. \*

FOR THREE PHASE APPLICATIONS  
DESCRIPTION:

200amp, 7 terminal, 3-phase, 4-wire will require a lever by-pass meeting ANSI C12.7, UL 414, an NEMA 3R. Meter cans are available for purchase through Techline or any other electrical supplier provided it meets all Bluebonnet Electric Cooperative specifications. Techline (512-332-2978)



FOR THE MEMBER'S SAFETY, WIRING INSTALLATION AND MATERIAL SHALL CONFORM TO THE REQUIREMENTS OF THE NEC, TDLR AND NESC.

Latest update can be found at [www.bluebonnetelectric.coop](http://www.bluebonnetelectric.coop)

CURRENT CARRYING CAPACITIES AND CONDUIT SIZE REQUIREMENT OF STANDARD WIRE SIZE - (RHH, RHW, THW, THWN, THHN, AND XHHW REFER TO NEC FOR OTHER CALCULATIONS.

<u>COPPER CONDUCTOR</u>			<u>ALUMINUM CONDUCTOR</u>		
Wire Size	Breaker Size	Conduit Size	Wire Size	Breaker Size	Conduit Size
#6	60 Amp	1 1/4" Conduit	#4	60 Amp	1 1/4" Conduit
#4	100 Amp	1 1/2" Conduit	#2	100 Amp	1 1/2" Conduit
#2	125 Amp	1 1/2" Conduit	#1/0	125 Amp	1 1/2" Conduit
#1	150 Amp	2" Conduit	#2/0	150 Amp	2" Conduit
#2/0	200 Amp	2" Conduit	#4/0	200 Amp	2" Conduit

1Ø OR 3Ø 60-200 AMP TEMPORARY METER LOOP FOR TRANSFORMER AND SERVICE POLES



DATE		REVISIONS		Drawn By :	Checked By :	Approved By :
03-31-20		Added note 5.		RG	MS COMMITTEE	MS COMMITTEE
11-04-21		Added main breaker note		Scale :	DATE:	MS-303
				NONE	11-04-2021	



## Material Standards:



**Underground warning tape must be 6” width, RED in color with BLACK lettering, and read “Caution Buried Electric Underground”. \*Normally, this material is only sold in 1000’ rolls.\***



**Bluebonnet**

MEMBER RESPONSIBILITY

BLUEBONNET RESPONSIBILITY

<p>Deliver essential project documents to Bluebonnet Electric Coop. - Site plan files (CAD Format), load information, information request form(s), project schedule.</p>	<p><b>BEFORE THE CLOCK STARTS</b></p>	<p>Facilitate correspondence with member/developer to discuss needs and review available information.</p>
<p>Host a site visit and/or Pre-design Meeting/Call with Bluebonnet Representative(s). Provide up to date and accurate Project Schedule for all stages, including desired energization date.</p>		<p>Provide Bluebonnet Developer's Package (Commercial/Residential); including standard Bluebonnet Easement.</p>
<p><b>**Bluebonnet Electric cannot begin design of project until all required documentation is received.**</b></p>		<p>Collect information from Member/Developer.</p>
<p>Expedite payment to Bluebonnet Electric for project. Provide any required third party easements and outstanding information.</p>		<p>Verify a complete member package has been received, including all required documentation.</p>
<p><b>**Bluebonnet Electric will not release project for scheduling (apartments and subdivisions) until addressing information is received.**</b></p>	<p><b>WEEK #1</b></p>	<p>Attend site visit or Pre-design meeting, evaluate site layout, utility coordination, member construction coordination, jobsite construction access, etc.</p>
<p><b>**Bluebonnet Electric cannot begin construction of project until Site Ready documentation is received.**</b></p>	<p><b>WEEKS #2-#5</b></p>	<p>Design electric service layout; coordinate with the electric system (circuit capacity, fuses). Size equipment, determine rate class for Community Representative to communicate to Member.</p>
<p>Construction crews will leave the site if suitable construction conditions are unsatisfactory.</p>	<p><b>WEEKS #6-#7</b></p>	<p>Prepare and submit any necessary permits. Schedule and complete field staking of project. Finalize and secure all easements.</p>
<p>Member completes preparation for final electric service delivery.</p>	<p><b>WEEK #8</b></p>	<p>Create cost estimate and deposit and send cost letter and Site Ready Letter to developer.</p>
<p>Member requests initiation of final electric service.</p>	<p><b>WEEK #9</b></p>	<p>Process project payment.</p>
	<p><b>WEEKS #10-#11</b></p>	<p>Prepare for and release project to construction. Verify material availability and receipt of developer's Site Ready Letter.</p>
	<p><b>WEEK #12</b></p>	<p>Upon release, Construction Lead (Contract Coordinator or Bluebonnet Construction) will contact member within two business days to provide anticipated construction start date, duration, planned completion, etc.</p>
	<p><b>WEEKS #13-#28</b></p>	<p>Request crew scheduling from construction. Complete inspections and accept installations. Verify site is prepared and ready for construction.</p>
	<p><b>WEEKS #29-#30</b></p>	<p>Construct Bluebonnet Electric Facilities.</p>
		<p>Inspect final installation. Energize project and initiate electric service.</p>

- A. If a Member step is late, the project clock **STOPS**. Members/Developers are highly encouraged to stay on top of payments, required easements, and all crucial deliverables and documentation.
- B. Elapsed times are not a guarantee. More than thirty weeks may be needed for larger scope projects or projects that require significant upgrades to Bluebonnet Electric's system infrastructure.
- C. Member/Developer is required to provide Bluebonnet Electric with any and all required easements, including third party, prior to commencing construction.
- D. Bluebonnet Engineering staff are responsible for all steps from project inception through Week #12. Weeks #13 - #30 are managed by Bluebonnet Construction Staff and are denoted in **BLUE**.
- E. Permitting schedule is contingent on regulatory agency approval (response times vary).
- F. Member/Developer is required to notify construction once site is ready by returning a signed Site Ready Letter. **Projects will not be released for scheduling until this document has been returned.**

During the **planning, engineering, and design phase** of your project your main point of contact will be one of Bluebonnet's Project Coordinators. If the Project Coordinator for your project is not available, one of the other team members will be glad to assist you.

**Shawn Ely**  
shawn.ely@bluebonnet.coop  
Office: (979) 542-8518  
Cell: (979) 540-7361

**Rodney Gerik**  
rodney.gerik@bluebonnet.coop  
Office: (979) 542-8527  
Cell: (979) 540-8814

**Clemente Verastegui**  
clemente.verastegui@bluebonnet.coop  
Office: (979) 542-8542  
Cell: (512) 578-6393

**Scott Iselt**  
scott.iselt@bluebonnet.coop  
Office: (979) 542-8522  
Cell: (979) 540-0195

**Shane Mathison**  
shane.mathison@bluebonnet.coop  
Office: (979) 542-8540  
Cell: (512) 577-6817

**Thomas Ellis (Manager)**  
thomas.ellis@bluebonnet.coop  
Office: (979) 542-8545  
Cell: (979) 540-6146

**Dalton Voight**  
dalton.voight@bluebonnet.coop  
Cell: (512) 629-3771

**Jorge Varillas**  
jorge.varillas@bluebonnet.coop  
Office: (512) 764-2838  
Cell: (512) 376-8291

**Wyatt Rosenauer**  
wyatt.rosenauer@bluebonnet.coop  
Office: (979) 542-8665  
Cell: (512) 629-5924

During the **construction, inspection, and metering phase** of your project your main point of contact will be Bluebonnet's Contractor Coordinator OR Assistant Superintendent. Bluebonnet's personnel cover specific areas of the service territory; areas are listed with their contact information.

**Joey Tobola (Contractors)**  
joey.tobola@bluebonnet.coop  
Cell: (979) 540-7162

**Randall Bownds (Giddings Area)**  
randall.bownds@bluebonnet.coop  
Office: (979) 542-8516  
Cell: (979) 540-6418

**Chad Lewis (Brenham Area)**  
chad.lewis@bluebonnet.coop  
Office: (979) 277-8558  
Cell: (979) 277-4041

**Aaron Seeliger (Red Rock Area)**  
aaron.seeliger@bluebonnet.coop  
Office: (512) 764-2788  
Cell: (512) 227-2281

**Kenneth Roush (Underground – All Areas)**  
kenneth.roush@bluebonnet.coop  
Cell: (512) 468-5088

**Tim Mittasch (Underground- All Areas)**  
tim.mittasch@bluebonnet.coop  
Cell: (979) 540-7159

**Daniel Fritsche (Bastrop Area)**  
daniel.fritsche@bluebonnet.coop  
Office: (979) 542-8514  
Cell: (979) 542-8546

**Carl Miller (Underground Inspector)**  
carl.miller@bluebonnet.coop  
Cell: (979) 540-6495

**Joe Hernandez (Underground Inspector)**  
jose.hernandez@bluebonnet.coop  
Cell: (720) 670-7299

**Jose Villarreal (Underground Inspector)**  
jose.villarreal@bluebonnet.coop  
Cell: (512) 988-1885

**Martin Dorantes (Underground Inspector)**  
martin.dorantes@bluebonnet.coop  
Cell: (512) 748-4453